

UVF-36, UVFRC-3628 & UVFRC-4228

Appliance Specifications

Cat. No.	Model	Ship. Weight (lbs)	Shipping Volume
H1957	UVF-36	150 lbs	20 Cu. Ft.
H1953	UVFRC-3628	200 lbs	22 Cu. Ft.
H1954	UVFRC-3628-H	200 lbs	22 Cu. Ft.
H1955	UVFRC-4228	230 lbs	26 Cu. Ft.
H1956	UVFRC-4228-H	230 lbs	26 Cu. Ft.

Tested & Listed By



Beaverton Oregon USA

OMNI-Test Laboratories, Inc.
OTL Report No.116-F-38-5

Specifications and clearances are subject to change without notice. Refer to Installation Manual before installation of these appliances for updated dimensions and instructions.

LISTING: These Universal Vent-Free (built-in) Fireboxes have been tested and approved as Vent-less Firebox Enclosures for Gas-Fired Unvented Decorative Room Heaters to ANSI Z21.91.

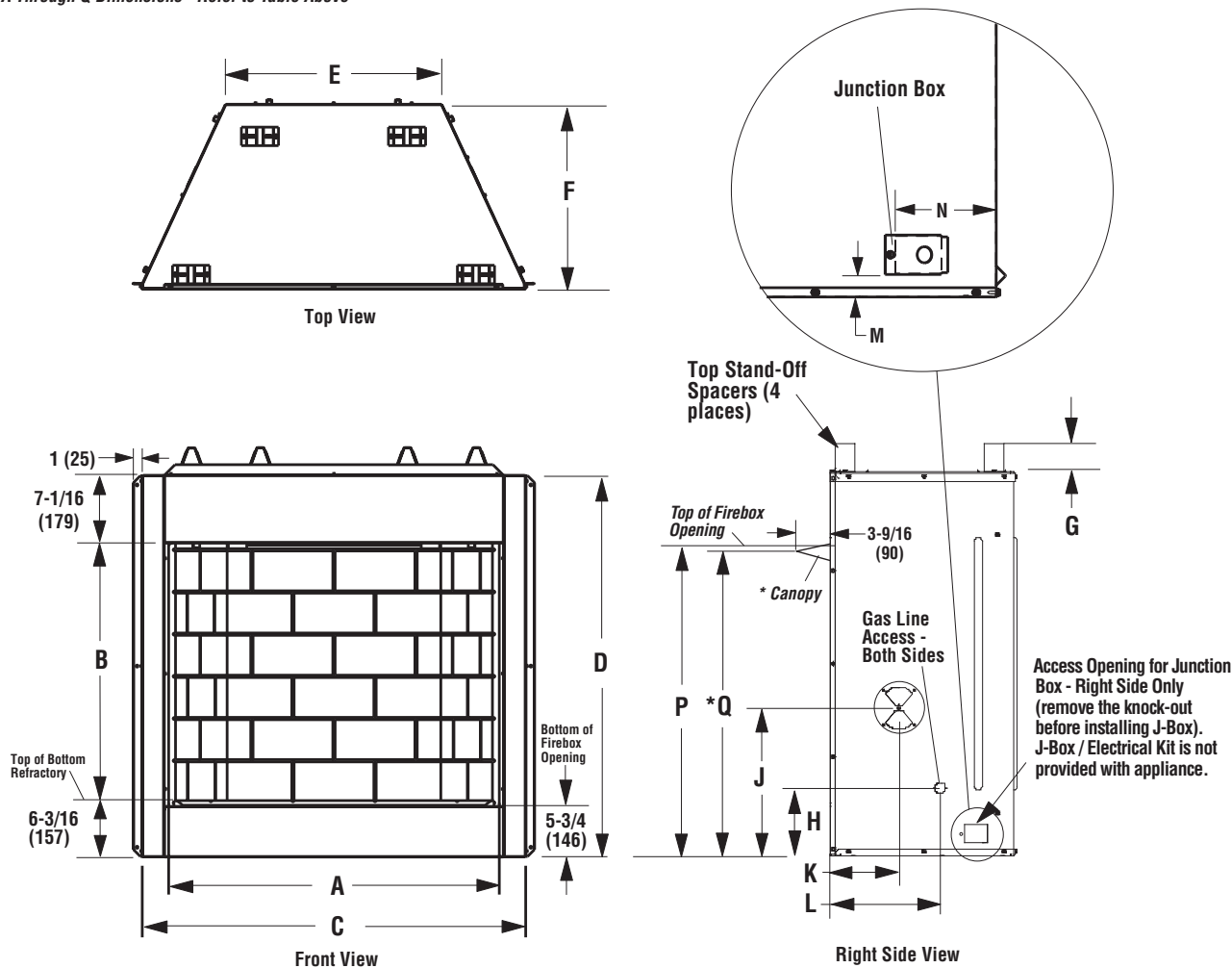
APPROVED GAS LOGS: These appliances are approved for use ONLY with Vent-Free Gas Log Room Heaters listed to ANSI Z21.11.2 which have an input not to exceed 40,000 BTU/Hr. See Tables at the bottom of Page 4 for models of *Optional Vent-Free Gas Log Sets* offered for use with these appliances.

Dimensions - Inches (millimeters)

Dimensions - Inches (millimeters)															
Model No.	A	B	C	D	E	F	G	H	J	K	L	M	N	P	*Q
UVF-36	36 (914)	24 (610)	41-3/4 (1061)	37-1/4 (946)	23-1/2 (597)	20 (508)	3 (76)	7-3/8 (187)	15-7/8 (403)	7-1/2 (190)	11-15/16 (303)	1-5/16 (33)	5-1/2 (140)	30-5/16 (770)	29-5/8 (753)
UVFRC-3628 & UVFRC-3628-H	36 (914)	28 (711)	41-3/4 (1061)	41-1/4 (1048)	23-1/2 (597)	20 (508)	3 (76)	8-3/8 (213)	15-7/8 (403)	7-1/2 (190)	11-15/16 (303)	1-5/16 (33)	5-1/2 (140)	34-5/16 (872)	33-5/8 (854)
UVFRC-4228 & UVFRC-4228-H	42 (1067)	28 (711)	47-3/4 (1213)	41-1/4 (1048)	29-1/2 (749)	20 (508)	3 (76)	8-3/8 (213)	15-7/8 (403)	7-1/2 (190)	11-15/16 (303)	1-5/16 (33)	5-1/2 (140)	34-5/16 (872)	33-5/8 (854)

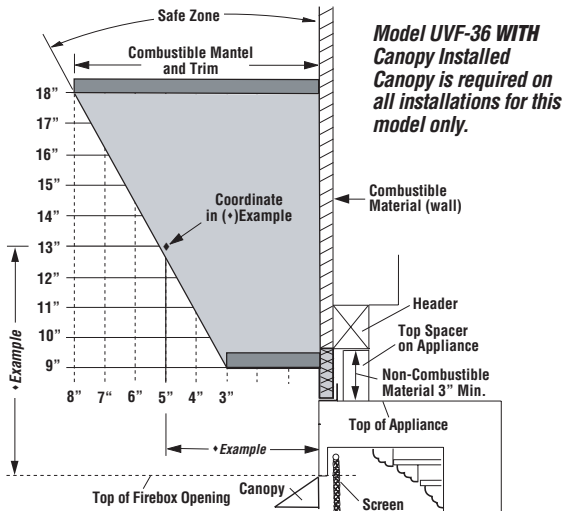
* A canopy comes standard and is required for model UVF-36. The factory-supplied canopy must be installed on the firebox for safe operation for model UVF-36 in all installations. This part is optional for models UVFRC-3628, UVFRC-3628-H, UVFRC-4228 & UVFRC-4228-H.

- A Through Q Dimensions - Refer to Table Above

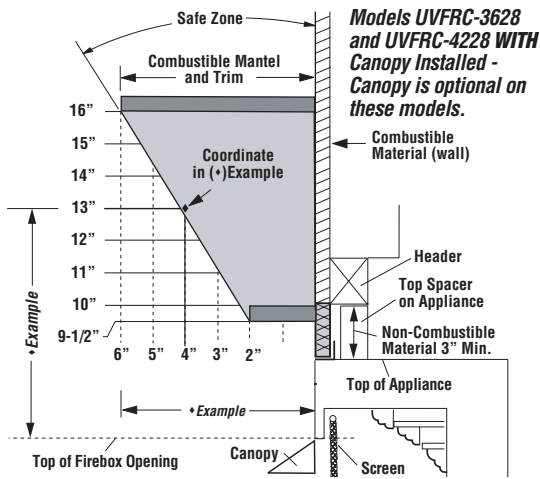


UVF-36, UVFRC-3628 & UVFRC-4228

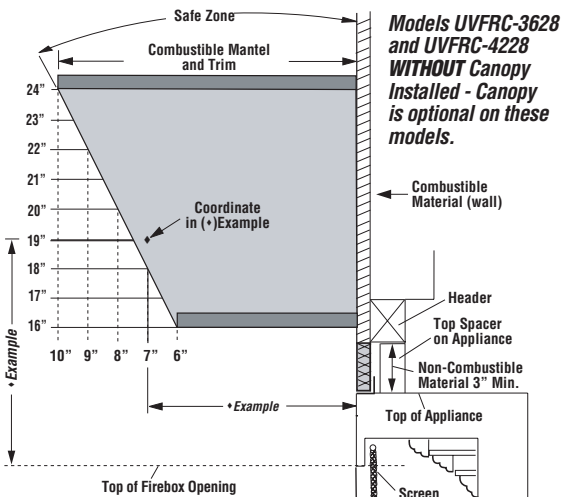
Combustible Mantel and Trim Clearances



♦ **EXAMPLE:** If you choose to install a mantel that projects 5", you will need to install it so that the bottom of the mantel and trim is approximately 13" or more above Firebox opening (see coordinate in shaded area above).



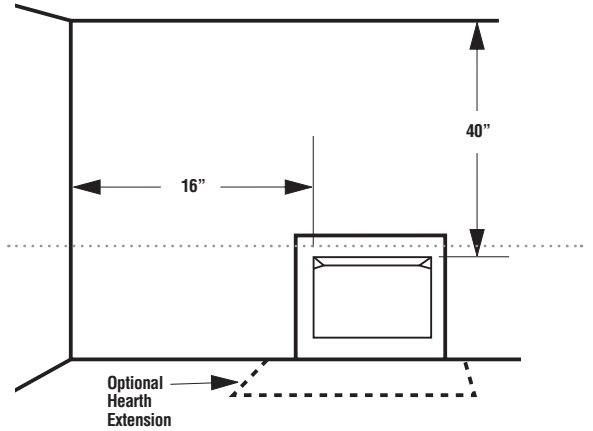
♦ **EXAMPLE:** If you choose to install a mantel that projects 4", you will need to install it so that the bottom of the mantel and trim is approximately 13" or more above Firebox opening (see coordinate in shaded area above).



♦ **EXAMPLE:** If you choose to install a mantel that projects 7", you will need to install it so that the bottom of the mantel and trim is approximately 19" or more above Firebox opening (see coordinate in shaded area above).

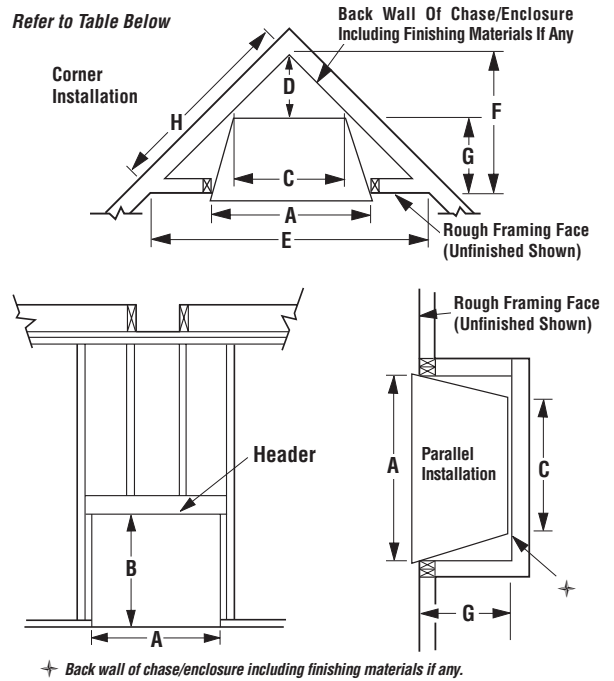
UNIVERSAL VENT-FREE FIREBOXES

Side Wall and Ceiling
(all models)



Combustible Wall and Ceiling Clearances

Framing Dimensions



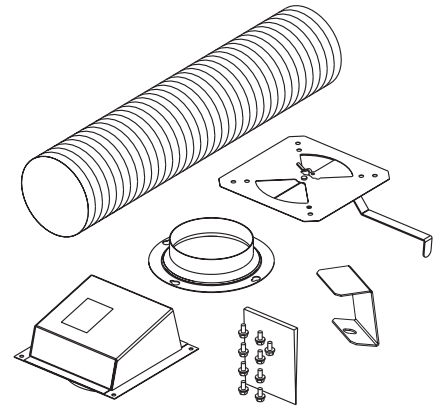
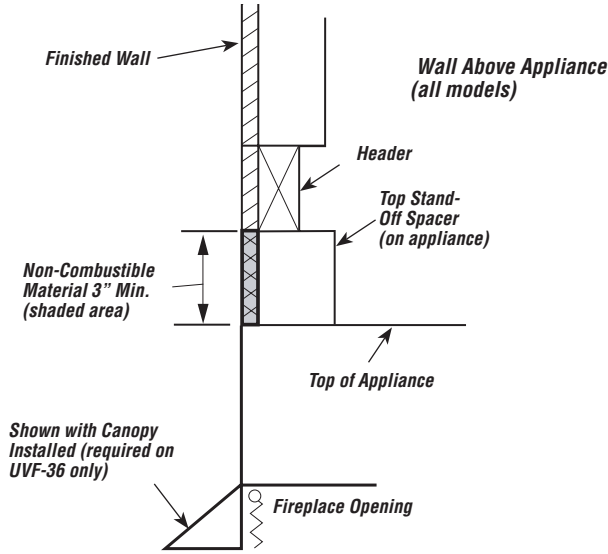
† Back wall of chase/enclosure including finishing materials if any.

Dim.	UVF-36	UVFRC-3628 & UVFRC-3628-H	UVFRC-4228 & UVFRC-4228-H
A	42-1/4" (1073)	42-1/4" (1073)	48-1/4" (1226)
B	40-1/4" (1022)	44-1/4" (1124)	44-1/4" (1124)
C	23-9/16" (599)	23-9/16" (599)	29-9/16" (751)
D	11-1/4" (286)	11-1/4" (286)	14-1/4" (362)
E	63-1/2" (1613)	63-1/2" (1613)	69-1/2" (1765)
F	31-3/4" (807)	31-3/4" (807)	34-3/4" (883)
G	20-1/2" (521)	20-1/2" (521)	20-1/2" (521)
H	44-3/16" (1122)	44-3/16" (1122)	49-1/8" (1248)

UVF-36, UVFRC-3628 & UVFRC-4228

UNIVERSAL VENT-FREE FIREBOXES

Combustible Wall Above Appliance



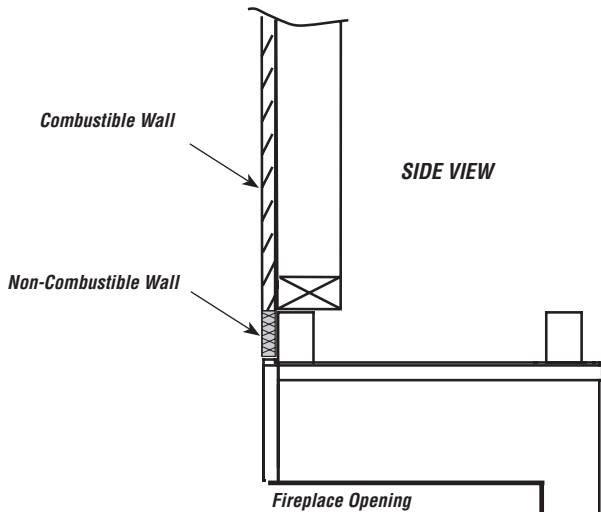
Outside Air Gate & Duct Kit		
Cat. No.	Model No.	Description
H3991	OAK-UVFRC	Outside Air Gate & Duct Kit

(ref. Form #750,206M)

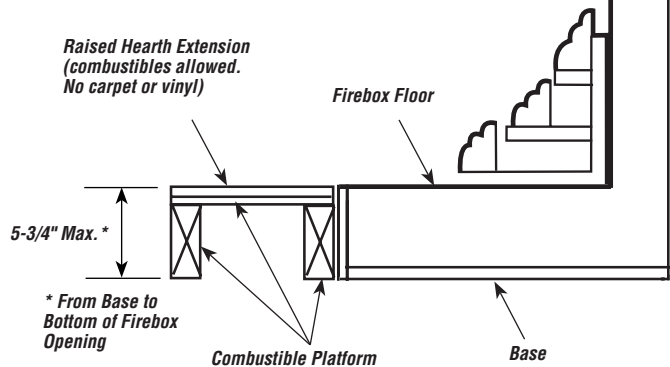
Outside Air Gate & Duct Kit

These kits have an air gate assembly, 4" diameter duct and a termination hood. The air gate allows adjustment of the amount of outside air delivered to the fire for combustion. Only one kit, located on the right side of the fireplace, is required.

Framing Raised Hearth Extension



Raised Hearth Extension
A hearth extension may be used but is not required for these appliances. A raised hearth extension may be used as shown.



* From Base to Bottom of Firebox Opening

Approved Accessories And Components



Decorative Volcanic Stone		
Cat. No.	Model No.	Description
80L42	FDVS	Bag of Volcanic Stone

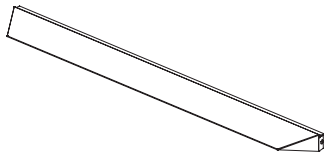
(ref. Form #750,010M)

Decorative Volcanic Stone

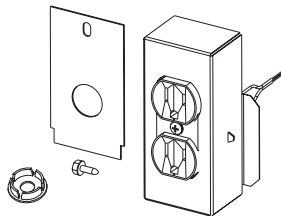
The decorative volcanic stone, Model FDVS, can be used to enhance the look of your appliance. Order model FDVS for replacement of stone when needed. Spread the decorative volcanic stone evenly around the bottom of the firebox.

UVF-36, UVFRC-3628 & UVFRC-4228

UNIVERSAL VENT-FREE FIREBOXES

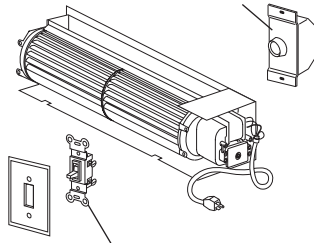


Charcoal Canopy		
Cat. #	Model	Models Where Used
H1989	FC36	UVFRC-3628, UVFRC-3628-H (UVF-36 standard part)
H1990	FC42	UVFRC-4228 & UVFRC-4228-H



Junction Box / Receptical Kit		
Cat. No.	Model No.	Description
H1958	JBK	Junction Box / Electrical Kit

The variable speed control rheostat is included with FBK-200 models only



An ON/OFF wall switch can be used with the FBK-100 models (field supplied or order P/N 85L87 Wall Switch Kit, shown below)

* Forced Air Blower Kits		
Cat. No.	Model No.	Description
80L84	FBK-100	Blower, Standard (single speed)
80L85	FBK-200	Blower, Variable Speed (w/wall-mounted switch)
94L89	FBK-100-36	Blower, Standard, 36 Pack
94L90	FBK-200-36	Blower Kit - Variable Speed with Wall Switch 36 Pack

* The installation of these kits also require a Junction Box / Electrical Kit, not included. See ordering information below

Blower Kit

The FBK-100 blower provides for a constant velocity forced air circulation feature for your appliance. The FBK-200 assembly with variable speed wall switch provides a forced air circulation feature for your appliance.

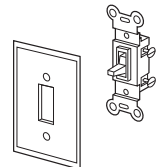
Touch-Up Paint Kit

Repair of minor scratches and discoloration of the appliance charcoal painted surfaces may be accomplished with the touch-up paint kit.



ON/OFF Wall Switch Kit

The ON/OFF wall switch kit may be used to control the blower operation, if FBK-100 blower kit is installed. Install the ON/OFF wall switch in a convenient location near the fireplace.



Touch-Up Paint Kits		
Cat. No.	Model No.	Description
H4354	TPK-C	Touch-Up Paint (Charcoal)

White Wall Switch Kit		
Cat. No.	Model No.	Description
85L87	FWSK	ON/OFF Wall Switch Kit

Approved Accessories And Components

SERENE HEAT® VENT-FREE GAS LOG SETS - MANUAL / PIEZO IGNITION, STANDING PILOT

Cat. No.	Model	Description	BTU/hr Input	Models Where Used
H2053	SHGL-18MN-R	18" Vent-Free Gas Log Set, Natural	25,000 - 36,000	UVF-36, UVFRC-3628 & UVFRC-3628-H
H2054	SHGL-18MP-R	18" Vent-Free Gas Log Set, Propane	27,000 - 36,000	UVF-36, UVFRC-3628 & UVFRC-3628-H
H2055	SHGL-24MN-R	24" Vent-Free Gas Log Set, Natural	26,000 - 39,000	UVF-36, UVFRC-3628 & UVFRC-3628-H
H2056	SHGL-24MP-R	24" Vent-Free Gas Log Set, Propane	31,000 - 39,000	UVF-36, UVFRC-3628 & UVFRC-3628-H

VENT-FREE GAS LOG SETS - MANUAL / PIEZO IGNITION, STANDING PILOT

Cat. #	Model	Description	BTU/hr Input	Models Where Used
H2126	VFGL18-MSN-4	18" Vent-Free Gas Log Set, Natural	14,000 - 25,000	UVF-36, UVFRC-3628 & UVFRC-3628-H
H2127	VFGL18-MSP-4	18" Vent-Free Gas Log Set, Propane	14,000 - 25,000	UVF-36, UVFRC-3628, UVFRC-3628-H
H2128	VFGL24-MSN-4	24" Vent-Free Gas Log Set, Natural	17,000 - 32,000	UVF-36, UVFRC-3628 & UVFRC-3628-H
H2129	VFGL24-MSP-4	24" Vent-Free Gas Log Set, Propane	17,000 - 32,000	UVF-36, UVFRC-3628 & UVFRC-3628-H
H2130	VFGL28-MSN-4	28" Vent-Free Gas Log Set, Natural	17,000 - 32,000	UVFRC-4228 & UVFRC-4228-H
H2131	VFGL28-MSP-4	28" Vent-Free Gas Log Set, Propane	17,000 - 32,000	UVFRC-4228 & UVFRC-4228-H