

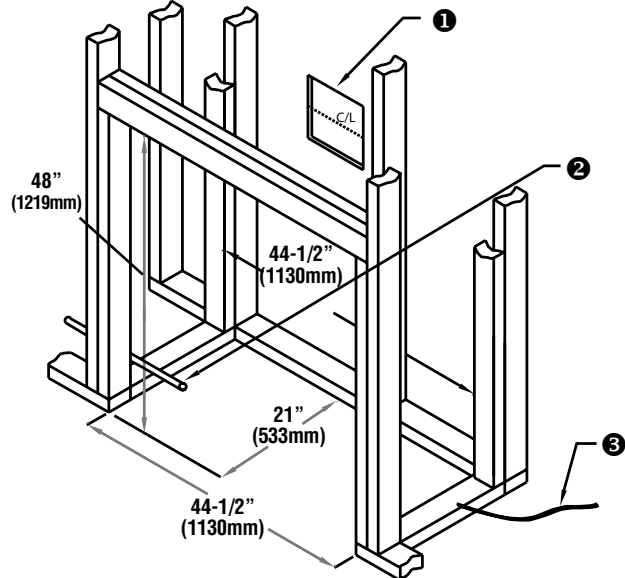
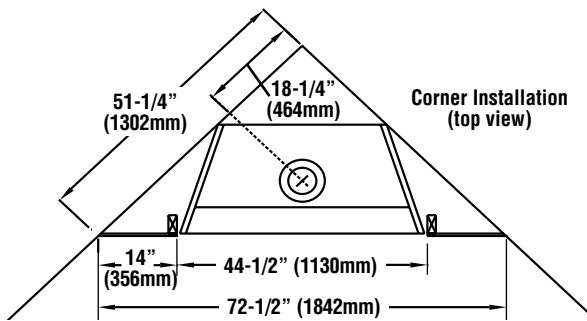
# Ravelle™ 42 (RAVL42)

## Appliance Specifications

## DIRECT VENT FIREPLACE HEATER

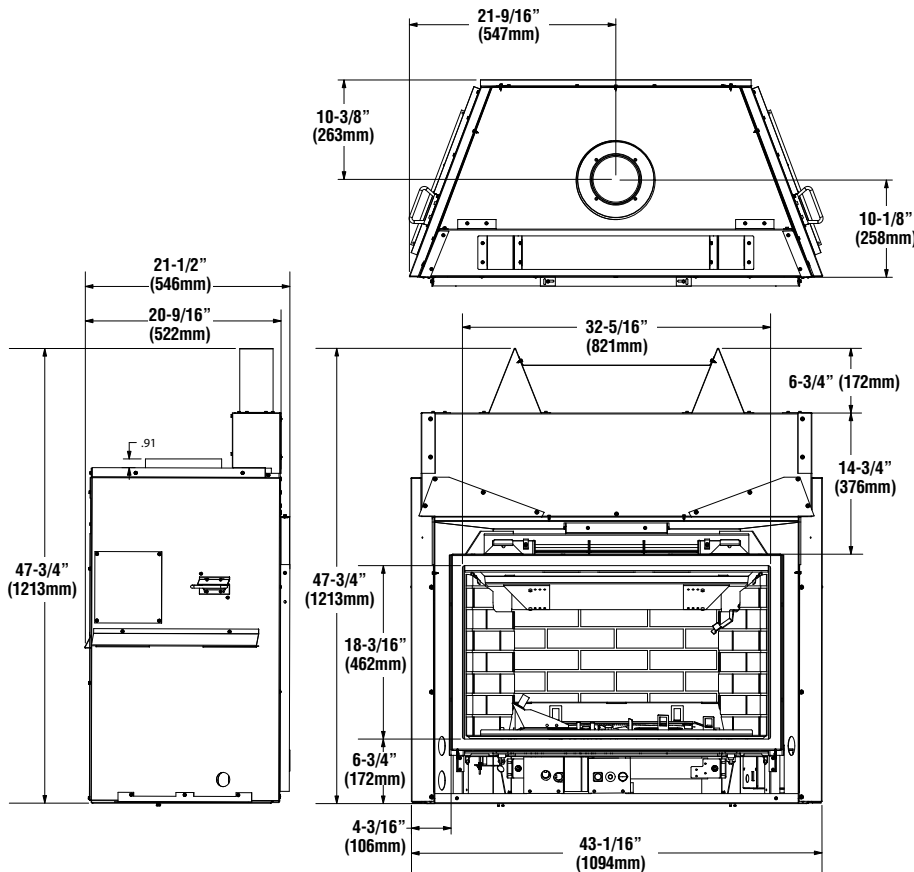
DAVE LENNOX  
*signature*  
COLLECTION

Framing Dimensions



- ❶ Horizontal installations with 90° elbow right off top, then directly through an exterior wall, require a hole 10-3/4" (273mm) square with a center line 42-1/4" (1073mm) above fireplace base to accommodate wall thimble and direct vent pipe.
- ❷ Route gas line to the left side of unit. Gas line access hole is located 6-7/8" (175mm) back from front edge and 2-1/8" (54mm) up from base of the unit. If a wall-mounted on/off switch or thermostat is to be used, route wires through the gas line hole.
- ❸ Route the electrical power supply wiring to right rear of the unit. The electrical access is located at right lower rear of the fireplace.

Fireplace Dimensions



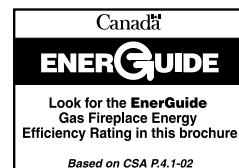
Canadian EnerGuide Rating -  
NG - 50.43%, LP - 53.47%  
Steady-State Efficiency\*\* - 83% - 86%

\*\* Efficiency varies slightly with various pipe configurations.

Tested and certified by OMNI-Test Laboratories to ANSI Z21.88 / CSA 2.33 Standard for Vented Gas Fireplace Heater and CGA 2.17-M91 and UL 307B Gas Burning Heating Appliances for Manufactured (Mobile) Homes in both USA and Canada.  
New York City, New York (MEA#: 138-07-E).  
Commonwealth of Massachusetts (G3-1104-102)

Listing Information

Tested & Listed By  Portland Oregon USA  
OMNI-Test Laboratories, Inc.  
Report No. 050-S-08c-5



Input (BTU) - Millivolt Models	
Fuel	Input Rate (BTU / HR)
Natural Gas	42,000 / 29,500
Propane	36,000 / 25,000

**LENNOX**  
HEARTH PRODUCTS

# Ravelle™ 42 (RAVL42)

Product Reference Information			
Cat. #	Model	Ship. Wt.	Ship. Volume
H5429C	RAV42DVF-C	315 lb.	43 cu. ft.

Options

**Decorative Faces (one required)**

Arch Inset  
Classic Inset  
Screen Face  
Foundry™

**Brick Liners (one required)**

Tan Brick  
Red Brick  
Architectural Stone

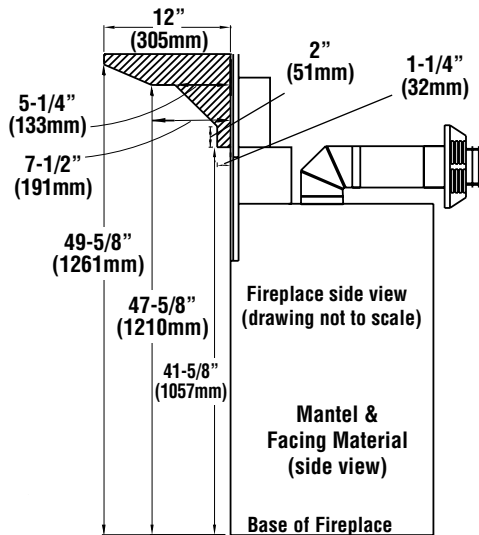
**Ductability (optional)**

Forced Air Duct Kit  
Whole Home Comfort System

**Misc.**

Wall thermostat  
Remote thermostat  
Barrier Screen

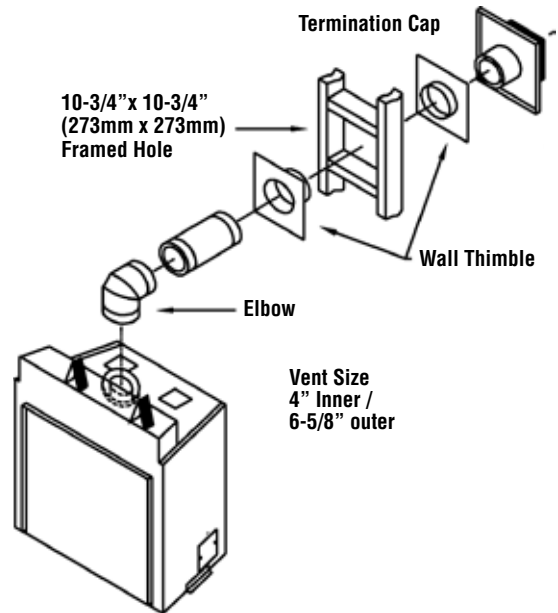
Clearances



Minimum Clearances To Combustible Materials	
Front corners to enclosure (from stand-offs)	0 (0mm)
Rear corners to enclosure (from stand-offs)	0 (0mm)
Top to header (from stand-offs)	0 (0mm)
Bottom of unit to floor	0 (0mm)
Edge of door glass to side wall and side trim	7-1/2 (191mm)
Back to enclosure (from stand-offs)	0 (0mm)

*Note: Diagrams, illustrations and photographs are not to scale – consult installation instructions. Product designs, materials, dimensions, specifications, colors and prices are subject to change or discontinuance without notice.*

## Horizontal Termination



Typical Installations

## Vertical Termination

