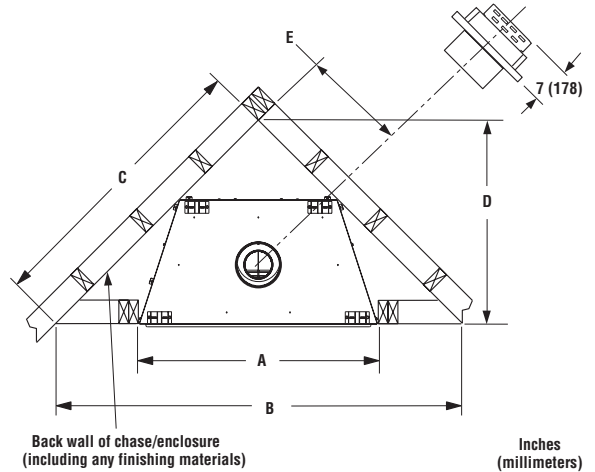
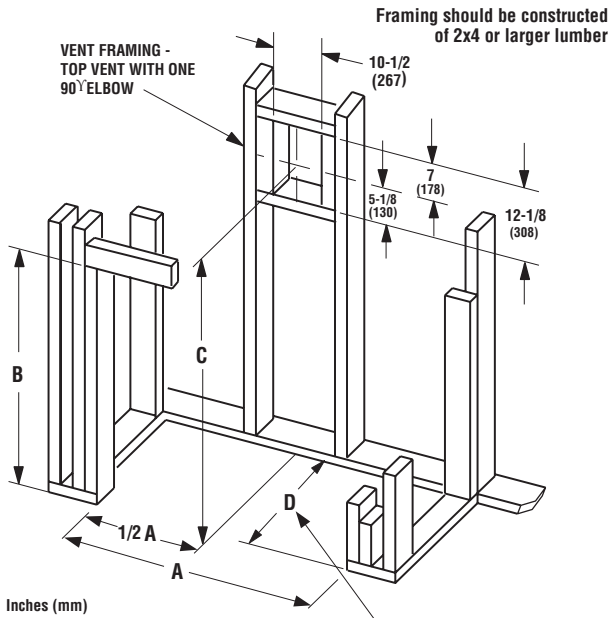


MLDVT-30/MLDVT-35/MLDVT-40/MLDVT-45 SERIES

DIRECT VENT FIREPLACE SPECIFICATIONS



Corner Framing Dimensions

Model No.		A	B	C	D	E
MLDVT-30	in.	30 1/4	53 3/16	37 29/32	26 13/16	12 1/4
	mm	768	1350	963	681	311
MLDVT-35	in.	35 1/4	57 1/2	40 5/8	28 3/4	13 3/4
	mm	895	1461	1032	730	349
MLDVT-40	in.	40 1/4	61 13/16	43 11/32	30 11/16	15 1/8
	mm	1022	1554	1101	779	384
MLDVT-45	in.	45 1/4	66 1/8	46 1/16	32 5/8	16 1/2
	mm	1149	1680	1170	829	419

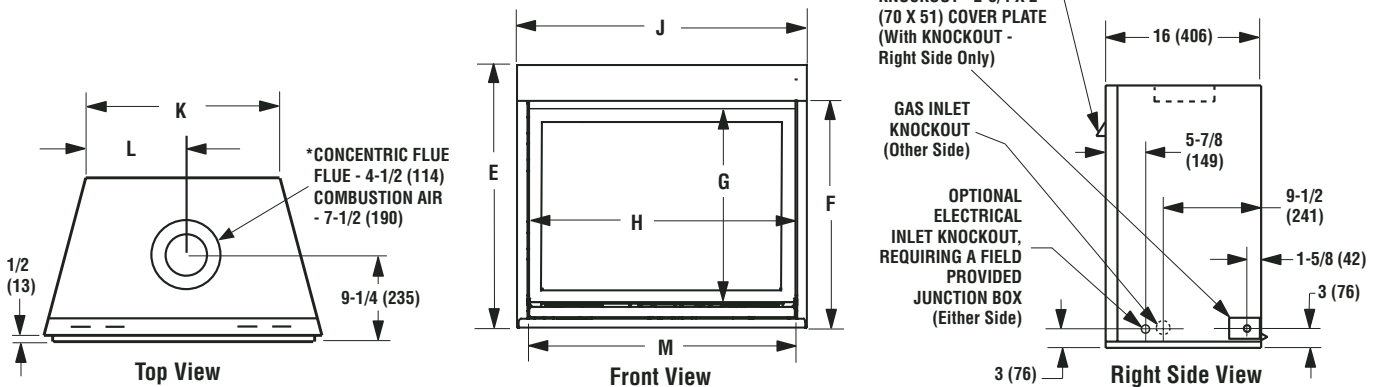
D is the required framing depth dimension when the finish material (drywall) thickness is 1/2 in. (13mm)

Framing Dimensions					
Model No.		A	B	C	D
MLDVT-30	in.	30-1/4	35-1/4	39-1/4	16
	mm	768	895	997	406
MLDVT-35	in.	35-1/4	35-1/4	39-1/4	16
	mm	895	895	997	406
MLDVT-40	in.	40-1/4	40-1/4	44-1/4	16
	mm	1022	1022	1124	406
MLDVT-45	in.	45-1/4	40-1/4	44-1/4	16
	mm	1149	1022	1124	406

Vertical Venting Through the Ceiling:

Frame ceiling opening - Use a plumb line from the ceiling above the appliance to locate center of the vertical run. Cut and/or frame an opening, 10-1/2" x 10-1/2" (267 mm x 267 mm) inside dimensions, about this center mark.

NOTE - It is recommended that the gas be studded in from the left side only.



Model No.		E	F	G	H	J	K	L	M
	MLDVT-30	in.	32-1/4	28-1/8	23-1/4	27	30-1/4	20	10
mm		819	715	587	686	768	508	354	711
MLDVT-35	in.	32-1/4	28-1/8	23-1/4	32	35-1/4	25	12-1/2	33
	mm	819	715	587	813	892	635	317	838
MLDVT-40	in.	37-1/4	33-1/8	28-1/4	37	40-1/4	30	15	38
	mm	946	841	714	940	1019	762	381	965
MLDVT-45	in.	37-1/4	33-1/8	28-1/4	42	45-1/4	35	17-1/2	43
	mm	946	841	714	1067	1149	889	445	1092

Tested & Listed By **OTL** Portland Oregon USA
OMNI-Test Laboratories, Inc.

OTL Report No. 116-F-54-5

Viewable Glass Size	
30" Model	24-1/4" Wide 20-1/4" High
35" Model	29-1/4" Wide 20-1/4" High
40" Model	34-1/4" Wide 25-1/4" High
45" Model	39-1/4" Wide 25-1/4" High

Vent Size	
Co-axial DV Vent Size	4-1/2" Inner 7-1/2" Outer

NOTE: DIAGRAMS & ILLUSTRATIONS ARE NOT TO SCALE.



MLDVT-30/MLDVT-35/MLDVT-40/MLDVT-45 SERIES

DIRECT VENT FIREPLACE SPECIFICATIONS

Input (BTU) Manually-Modulated Gas Valves (all models)	
NATURAL GAS	
Models	Input Rate (BTU / HR)
MLDVT-30N	13,500 high 10,500 low
MLDVT-35N	16,000 high 12,750 low
MLDVT-40N	20,000 high 15,500 low
MLDVT-45N	23,000 high 17,500 low

Input (BTU) Manually-Modulated Gas Valves (all models)	
PROPANE GAS	
Models	Input Rate (BTU / HR)
MLDVT-30P	12,500 high 9,000 low
MLDVT-35P	15,000 high 11,400 low
MLDVT-40P	18,000 high 14,000 low
MLDVT-45P	22,000 high 17,000 low

Models	Efficiencies %			
	Natural Gas		Propane	
	AFUE**	P4*	AFUE**	P4*
MLDVT-30	57	55.6	58	56.1
MLDVT-35	57.5	55.6	59.0	58.1
MLDVT-40	63	58.6	62.3	59.5
MLDVT-45	63	60	64	62

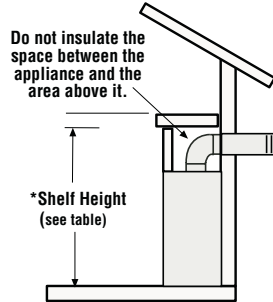
Canada
ENERGUIDE
Look for the EnerGuide Gas Fireplace Energy Efficiency Rating in this brochure
Based on CSA P.4.1-02

*Canadian Energuide Rating

**Annual Fuel Utilization Efficiency (AFUE) is the recognized U.S. rating system for the total efficiency of heating products.

Model No.	Combustible Shelf Height - Inches (millimeters)	
	Top Vent - with One 90 Degree Elbow	
	Secure Vent	Secure Flex (flex elbow)
MLDVT-30/35	*46-1/2 (1181)	*48-1/4 (1226)
MLDVT-40/45	*51-1/2 (1308)	*53-1/4 (1349)

* Includes 3" clearance to combustibles (required above vent components)

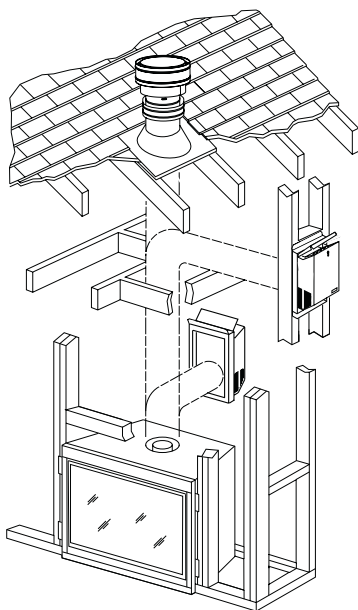
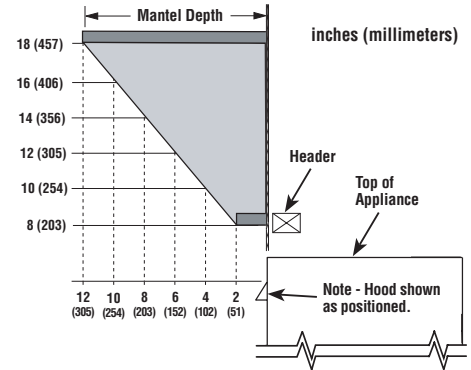
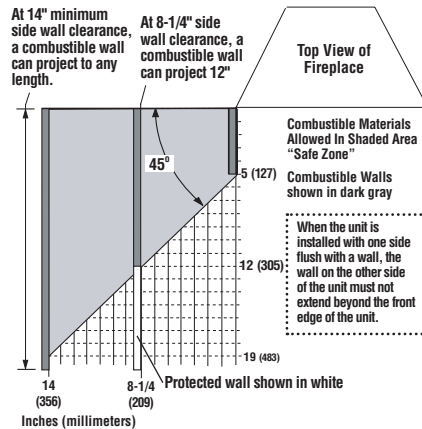


Shelf Above Fireplace With Top Venting

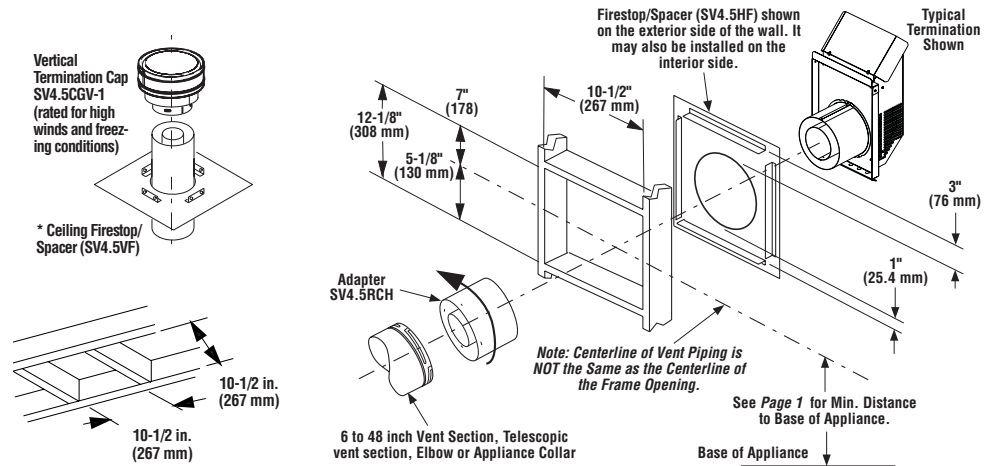
Product Reference Information			
Cat. No.	Model	Ship. Weight	Ship. Volume
H7506	MLDVT-30NM	78 lb.	9.09 cu. ft.
H7507	MLDVT-30PM	78 lb.	9.09 cu. ft.
H7508	MLDVT-30NE	78 lb.	9.09 cu. ft.
H7511	MLDVT-35NM	86 lb.	10.61 cu. ft.
H7512	MLDVT-35PM	86 lb.	10.61 cu. ft.
H7515	MLDVT-35NE	86 lb.	10.61 cu. ft.
H7516	MLDVT-40NM	108 lb.	14.01 cu. ft.
H7517	MLDVT-40PM	108 lb.	14.01 cu. ft.
H7518	MLDVT-40NE	108 lb.	14.01 cu. ft.
H7519	MLDVT-45NM	122 lb.	15.76 cu. ft.
H7520	MLDVT-45PM	122 lb.	15.76 cu. ft.
H7521	MLDVT-45NE	122 lb.	15.76 cu. ft.

MINIMUM CLEARANCES Inches (millimeters)	
Back	1/2 (13) 0 (0) Spacers Or Dimples
Sides	1/2 (13) 0 (0) Spacers Or Dimples
Top	3 (76)
Floor	0 (0)
Bottom of Appliance To Ceiling	64 (1626)
Vent	3 (76) Top * 1 (25.4) Sides & Bottom
SERVICE CLEARANCES Feet (meters)	
Front	3 ft. (0.9 m)

* 3" above any horizontal vent component



Typical Installation



Note: Diagrams, illustrations and photographs are not to scale - Consult Installation Instructions. Product designs, materials, dimensions, specifications, colors and prices are subject to change or discontinuance without notice.



NOTE: DIAGRAMS & ILLUSTRATIONS ARE NOT TO SCALE.