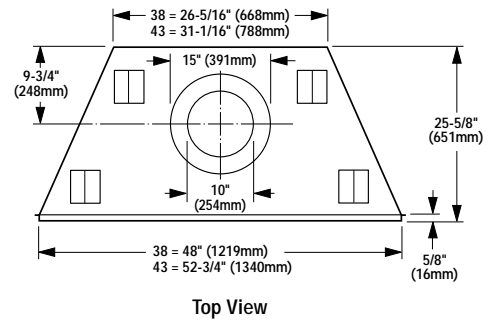
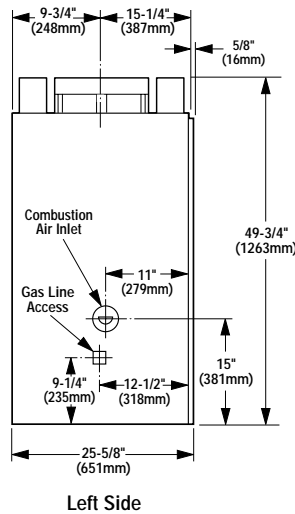
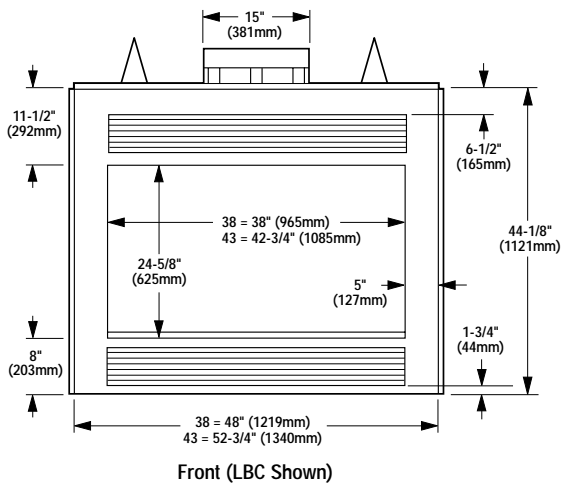


# LBR-38/43 & LBC-38/43

## Appliance Specifications



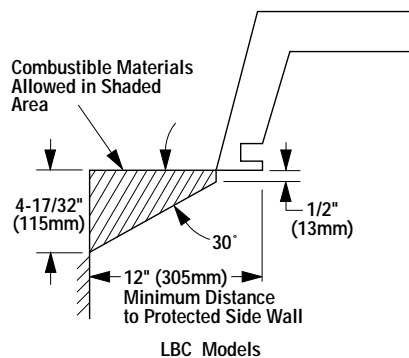
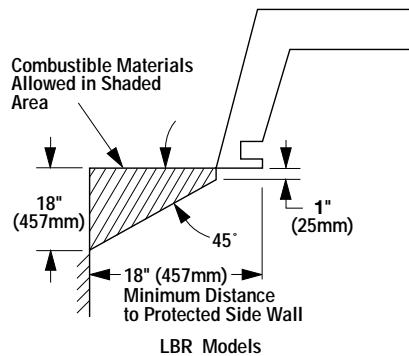
Model	Catalog Number	Weight
LBR-3824	11M70	225 lbs.
LBC-3824	11M72	225 lbs.
LBR-3824-H	11M74	225 lbs.
LBC-3824-H	11M76	225 lbs.
LBR-4324	11M71	250 lbs.
LBC-4324	11M73	250 lbs.
LBR-4324-H	11M75	250 lbs.
LBC-4324-H	11M77	250 lbs.

Note: Diagrams, illustrations and photographs are not to scale - Consult Installation Instructions. Product designs, materials, dimensions, specifications, colors and prices are subject to change or discontinuance without notice.

## Fireplace Finishes

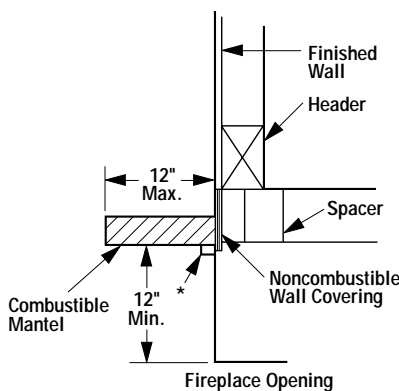
### Vertical Surround Limitations

Combustible materials may project beyond the sides of the fireplace opening as long as they are kept within the shaded areas illustrated in the diagrams below.



### Mantels And Trim

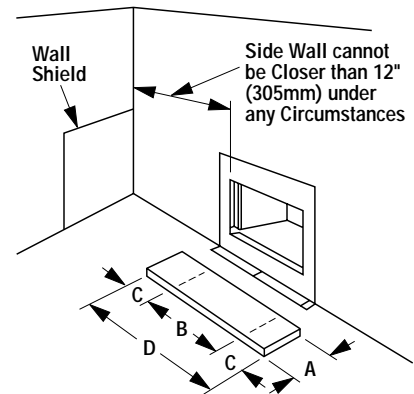
Combustible mantels and trim may be installed 12" (305 mm) above the fireplace opening as per NFPA 211; Section 7-2.3.3. and the Mantel limitation diagram. If a mantel is of a noncombustible material, it is exempt from these requirements as long as it does not interfere with the installation or operation of glass doors.



\* A 1-1/2" Projection Is Permitted Between The Face Top And Mantle

### Hearth Extensions & Wall Shields

A hearth extension must be installed with all fireplaces. Its purpose is twofold. It protects a combustible floor in front of the fireplace from both radiant heat and sparks and it distinguishes the prescribed hearth extension area from other unprotected surfaces.



### Hearth Extension Dimensions

Opening Width	LBR/LBC 38"	LBR/LBC 43"
A	20" (508 mm)	20" (508 mm)
B	38" (965 mm)	43" (1092 mm)
C	12" (305 mm)	12" (305 mm)
D	62" (1575 mm)	67" (1702 mm)

NOTE: DIAGRAMS & ILLUSTRATIONS NOT TO SCALE.

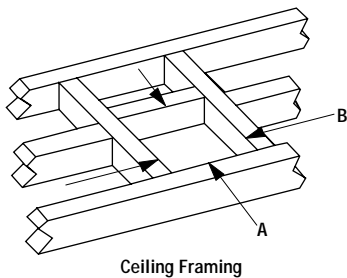
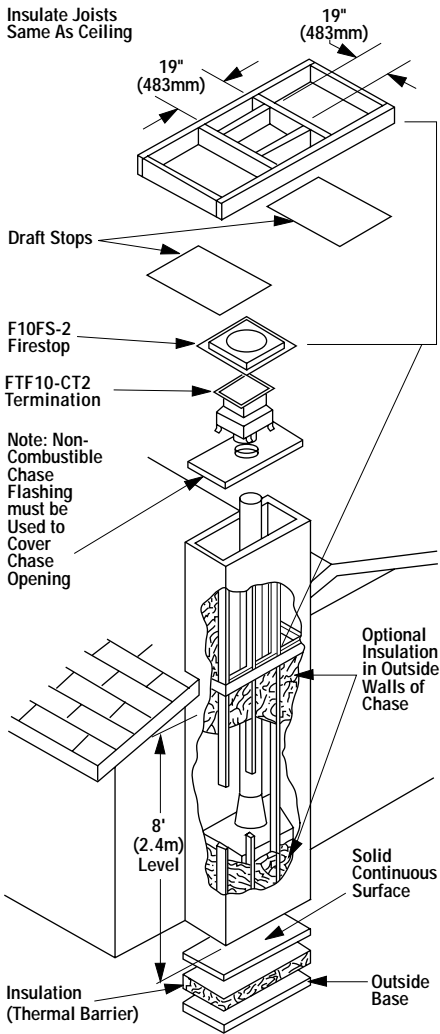


# LBR-38/43 & LBC-38/43

## Framing Specifications

### Typical Installation

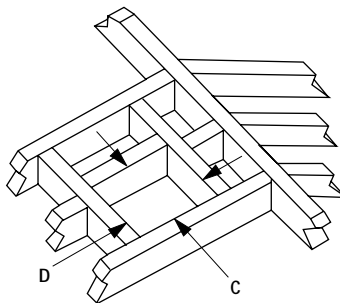
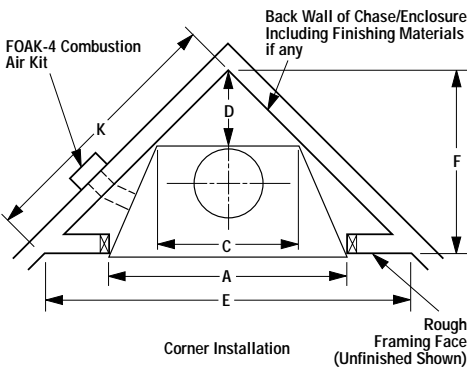
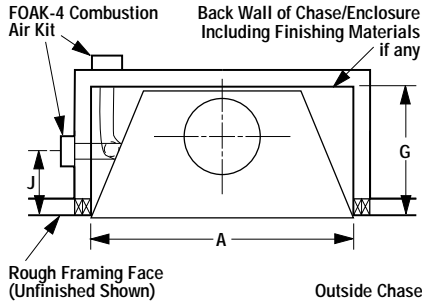
Insulate Joists Same As Ceiling



Framing Dimensions for Ceiling

Flue Type	A	B
FTF10 Vertical	19" (483 mm)	19" (483 mm)
FTF10 30° Offset	19" (483 mm)	29" (737 mm)

*Note: All framing dimensions calculated for 1/2" dry wall at the appliance face. If sheathing the chase or finishing with other thickness materials, calculations will need to be made.*

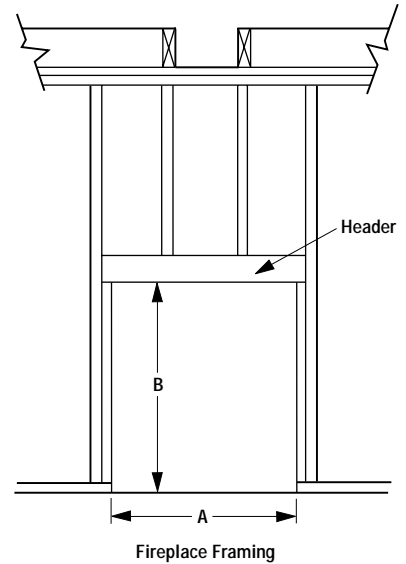


Roof Framing

Framing Dimensions for Roof

Pitch	C	D*
0/12	19" (483 mm)	19" (483 mm)
6/12	19" (483 mm)	22" (559 mm)
12/12	19" (483 mm)	27" (686 mm)

\*Perpendicular to roof ridge



Framing Dimensions

	Fireplace Opening Width	
	38	43
A	48-1/8" (1222 mm)	52-7/8" (1343 mm)
B	50" (1270 mm)	50" (1270 mm)
C	26-1/4" (667 mm)	31" (787 mm)
D	13-1/8" (334 mm)	15-1/2" (394 mm)
E	77-1/4" (1962 mm)	82" (2083 mm)
F	38-5/8" (981 mm)	41" (1041 mm)
G	25-1/2" (648 mm)	25-1/2" (648 mm)
J	11" (279 mm)	11" (279 mm)
K	54-5/8" (1388 mm)	58" (1473 mm)

*Note: All framing dimensions calculated for 1/2" dry wall at the fireplace face. If sheathing the chase or finishing with other thickness materials, calculations will need to be made.*

NOTE: DIAGRAMS & ILLUSTRATIONS NOT TO SCALE.

