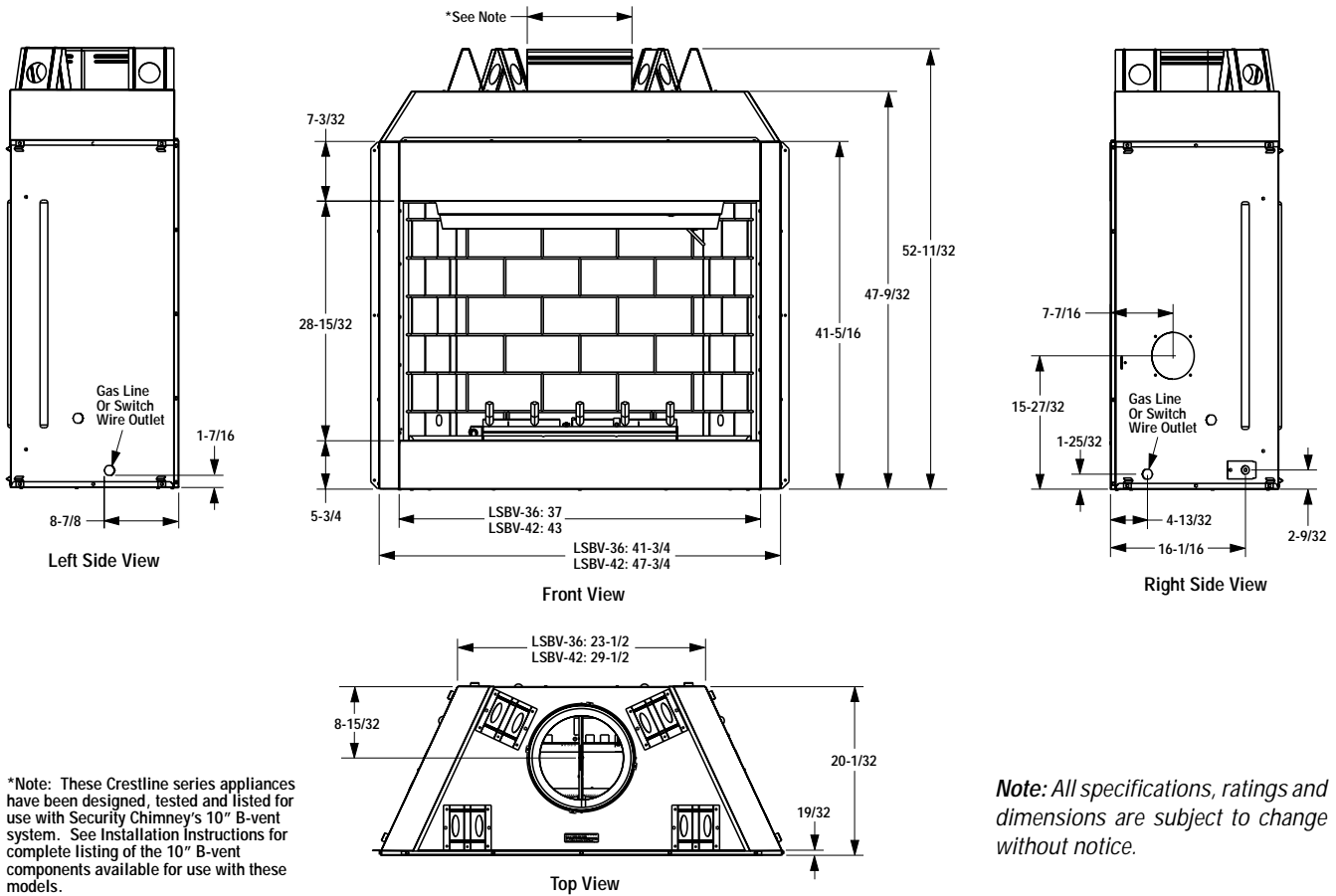


CRESTLINE® LSBV-3628/LSBV-4228

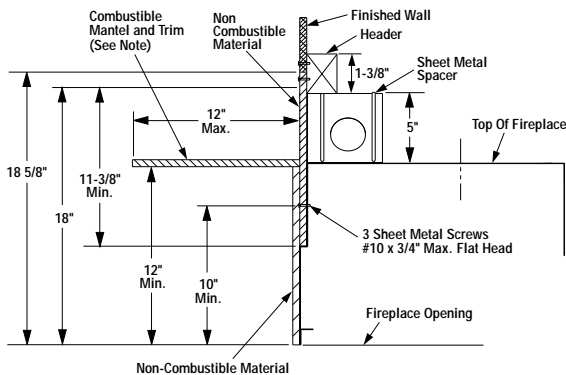
Appliance Specifications



Fireplace Finishes

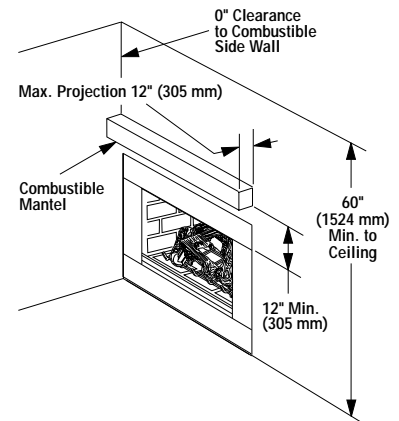
Wall Details and Combustible Mantels

Completing the finished interior wall. To install the appliance facing flush with the finished wall, position framework to accommodate the thickness of the finished wall. Both illustrations show a combustible mantel shelf projecting a maximum of 12" (305 mm) from the wall, and which must be installed a minimum distance of 12" (305mm) from the top of the firebox opening. No other mantel length/height combinations are allowable for this fireplace.



Note: Mantel At Minimum Height Should Be Affixed to Framing Hinge Posts At Right And Left Of The Fireplace. Do Not Use Molly Bolts In Front Of The Fireplace.

Typical Installation



A hearth extension is not required with this appliance. Any hearth extension used is for appearance only and does not have to conform to standard hearth extension installation requirements.

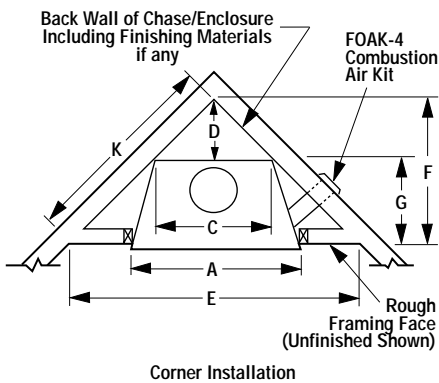
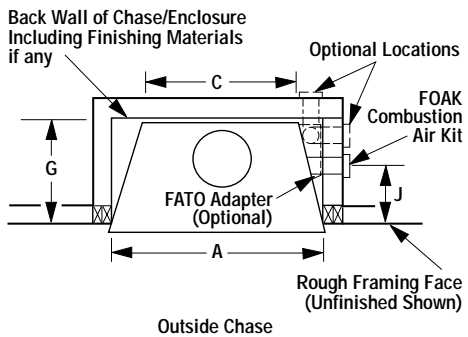
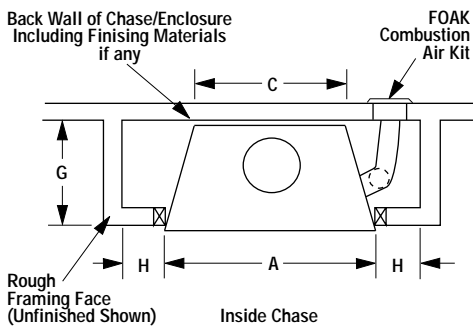
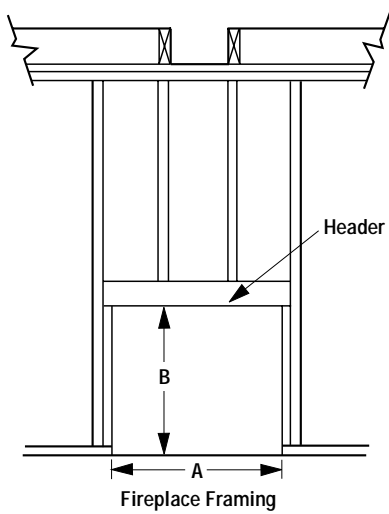
Note: Combustible wall finish materials and/or surround materials must not be allowed to encroach the area defined by the appliance front face (black sheet metal). Never allow combustible materials to be positioned in front of or overlapping the appliance front face.

NOTE: DIAGRAMS & ILLUSTRATIONS NOT TO SCALE.



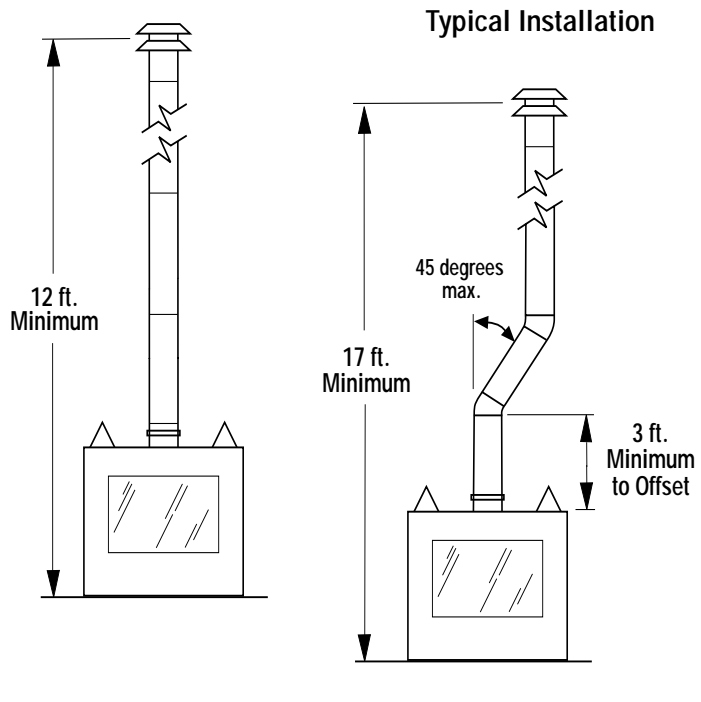
CRESTLINE® LSBV-3628/LSBV-4228

Framing Specifications



Note: Nailing flange is adjustable from 5/8" to 1/2".

NOTE: DIAGRAMS & ILLUSTRATIONS NOT TO SCALE.



Framing Dimensions

	Fireplace Opening Width	
	3628	4228
A	42-1/4" (1073 mm)	48-1/4" (1226 mm)
B	52-1/2" (1344 mm)	52-1/2" (1344 mm)
C	23-9/16" (599 mm)	29-9/16" (751 mm)
D	11-1/4" (286 mm)	14-1/4" (362 mm)
E	63-1/2" (1613 mm)	69-1/2" (1765 mm)
F	31-3/4" (807 mm)	34-3/4" (883 mm)
G	20-1/2" (521 mm)	20-1/2" (521 mm)
H	4" (102 mm)	4" (102 mm)
J	7-1/2" (190 mm)	7-1/2" (190 mm)
K	44-3/16" (1122 mm)	49-1/8" (1248 mm)

Input of appliance are 45,000 BTU/HR for Propane models and 50,00 BTU/HR for Natural Gas models.

Gas Type	Orifice Size		Elevation
	Nat.	Pro.	
LSBV-3628	#26	#45	0 - 4500' (0 - 1370 m)
LSBV-4228	#26	#45	0 - 4500' (0 - 1370 m)

Note: All framing dimensions calculated for 1/2" dry wall at the appliance face. If sheathing the chase or finishing with other thickness materials, calculations will need to be made.

LENNOX
HEARTH PRODUCTS