

Cambria™

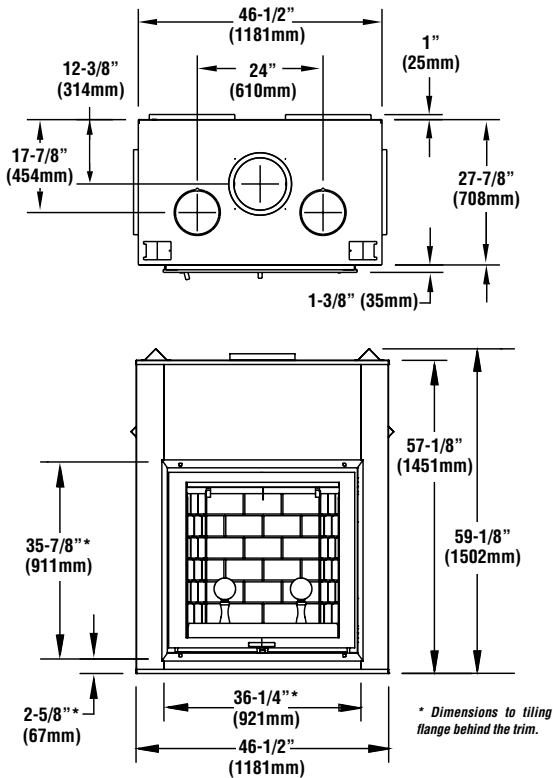
Wood Burning Fireplaces

Product Reference Information Model CAMBRIA, Cat. No. H6998	
Weight w/ crate	675 lbs
Weight w/out crate and refractory bricks	500 lbs
Height	59" (1499mm)
Width	48-1/2" (1232mm)
Depth	29" (737mm)
Chimney weight ASHT+ (10" dia.)	8-1/2 lb/ft.
Chimney weight AC (10" dia.)	4 lb/ft

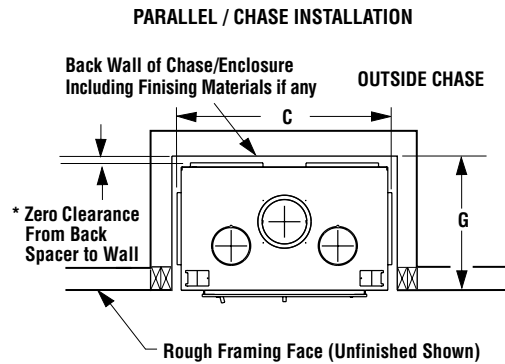
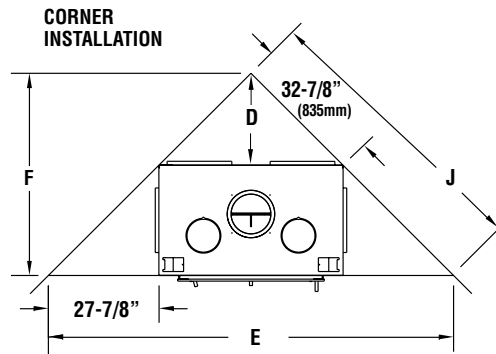
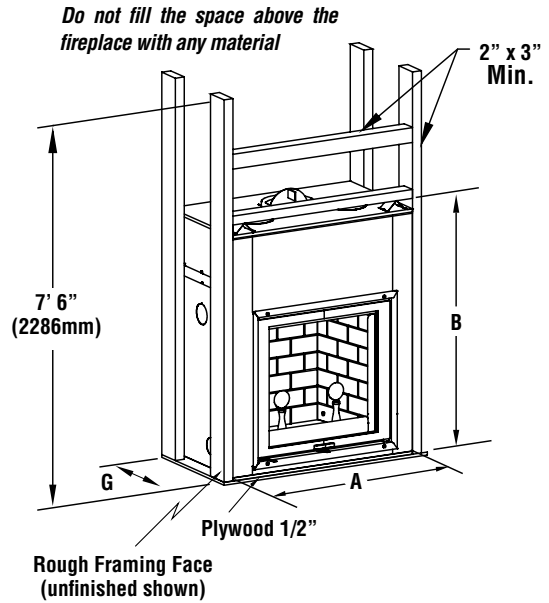
FRAMING DIMENSIONS Fireplace Opening Width		
A	48-3/4"	1238 mm
B	59-3/8"	1508 mm
C	48-1/2"	1232 mm
D	23-1/4"	591 mm
E	102-1/4"	2597 mm
F	51-1/8"	1299 mm
G	28-7/8"	733 mm
J	72-5/16"	1837 mm

Specifications

Fireplace Dimensions



Framing Dimensions



Listing Information



Listed to standards:
ULC-S610 & UL-127
Report No. 3092554

Notes

- Due to Lennox' ongoing commitment to quality, all specifications, ratings and dimensions are subject to change without notice.
- All framing dimensions calculated for 1/2" dry wall at the fireplace face. If sheathing the chase or finishing with other thickness materials, calculations will need to be made.
- The fireplace must not be in contact with any insulation or loose filling material. Cover the insulation with Drywall panels around the fireplace.

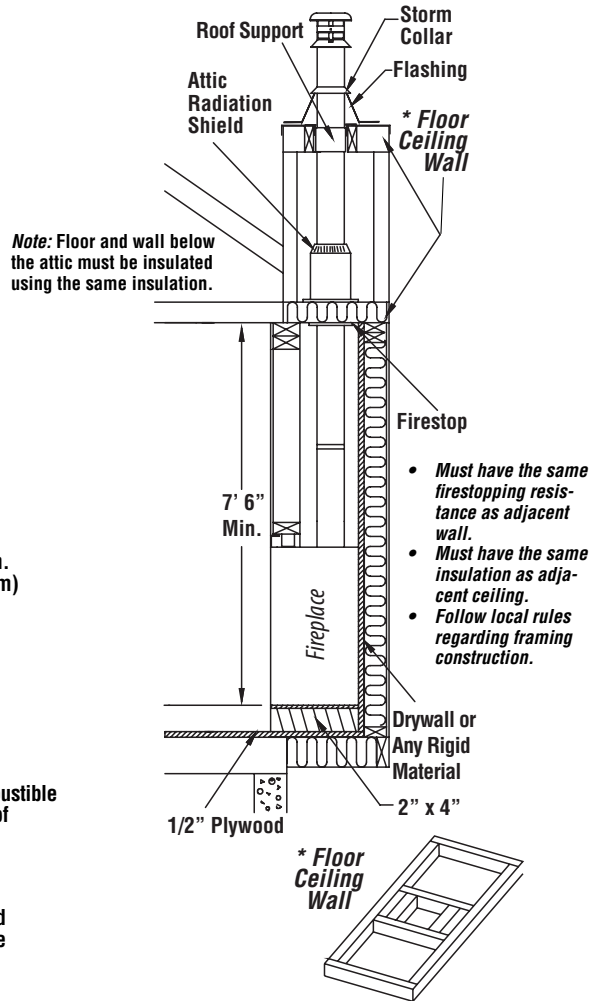
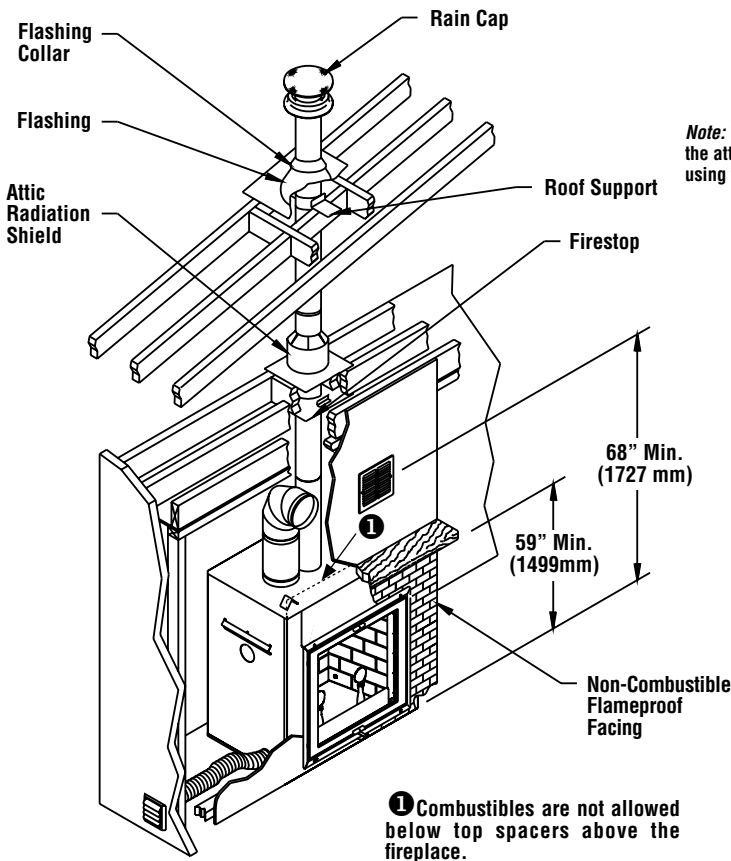


HEARTH PRODUCTS

Cambria™

Wood Fireplaces Specifications

Typical Installations



CLEARANCE TO COMBUSTIBLES

The following clearances meet the minimum requirements for a safe installation:

- **Side wall** (fireplace front): 24" (457 mm) measured from the fireplace door.
- **Ceiling:** 7' 6" (2286 mm) measured from the base of the fireplace
- **Fireplace enclosure:**
 - Bottom: 0"
 - Side: 0"
 - Back: 0"
 - Top: Do not fill the space above the fireplace with any material (except the wood framing)
- **Chimney:** 2" (50 mm)
- **Mantel:** 59" (1422 mm) measured from the base of the fireplace.

Combustible Clearances

