

SDVST-N

Direct Vent See-Through Fireplaces Millivolt - Natural Gas

- Includes Fuel Conversion Kit (to Propane)
- Suitable for Manufactured Homes
- Many Options Available - Blowers, Remotes, Wall Switch, Wall Thermostat, Screen Door, Trim Kits and more.

Product Reference Information			
Cat. No.	Model	Ship Wt.	Ship. Volume
H4633	SDVST-N	282 lbs	52W x 27D x 44 1/2H (36.2 cu.ft)

Specifications	
Natural & Propane Gas BTU Input	37,500 High 30,000 Low
Co-axial DV Vent Size	4-1/2" Inner 7-1/2" Outer

Notes	
• Annual Fuel Utilization Efficiency	
Due to Lennox' ongoing commitment to quality, all specifications, ratings and dimensions are subject to change without notice.	
Appliance has a factory-installed vent seal cap in each flue outlet.	

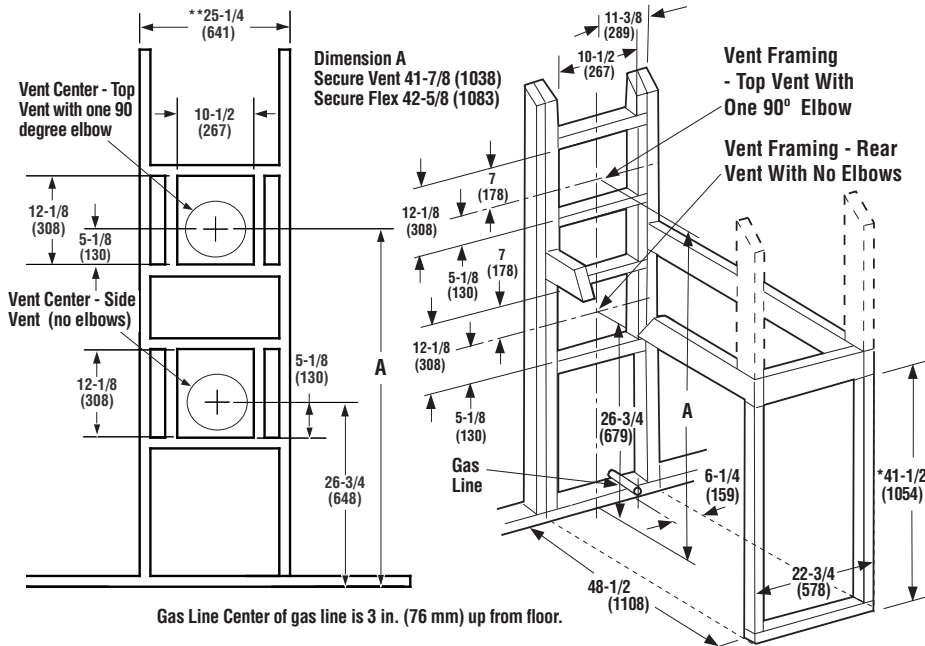
Efficiencies	
ENERGUIDE	61% (NG)
	62% (LP)
Steady State	72% (NG)
	73% (LP)
• AFUE	68% (NG)
	68% (LP)

Tested & Listed By **OTL** Beaverton Oregon USA
OMNI-Test Laboratories, Inc.

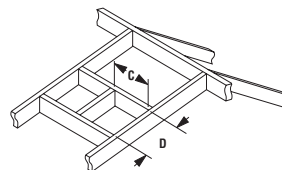
These fireplaces have been tested and listed by OMNI-Test Laboratories to ANSI Z21.88b

OTL Report No. 116-F-32-5

Fireplace Framing Specifications

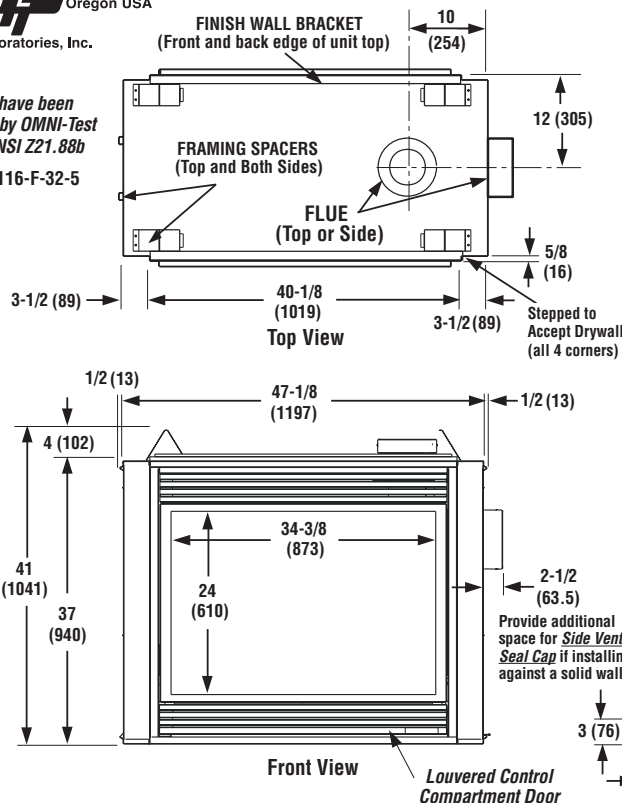
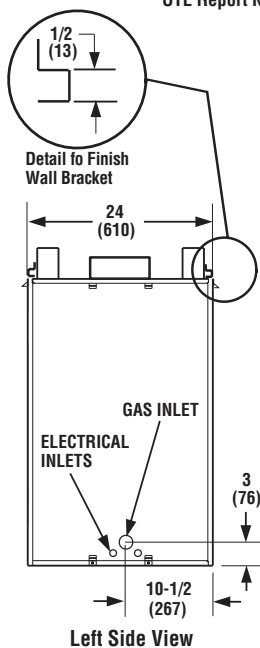


- * This dimension can be reduced to 41 inches (1041 mm). This results in 0 in. (0 mm) clearance between framing and unit framing spacers. The 41-1/2 in. dimension permits easier fireplace installation, if unit is installed after framing is erected.
- ** This dimension based on 5/8" drywall. For 1/2" drywall use 25-1/2" (648 mm). The finished dimension should be 26-1/2" (673 mm). See also, *Side Vent Seal Cap* note below.



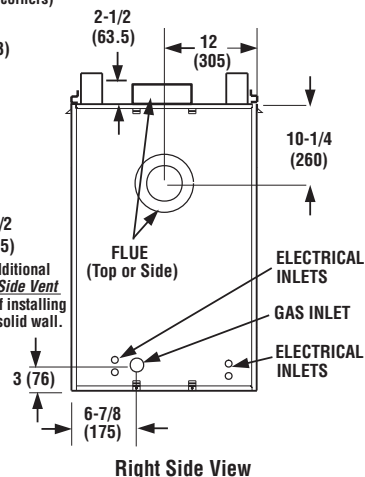
Roof Framing Dimensions		
Pitch	C	D
0/12	10-1/2 in. (267 mm)	10-1/2 in. (267 mm)
6/12	10-1/2 in. (267 mm)	12 in. (305 mm)
12/12	10-1/2 in. (267 mm)	17-3/4 in. (451 mm)

(See Ceiling Framing on Page 2)



Stepped to Accept Drywall (all 4 corners)

Provide additional space for *Side Vent Seal Cap* if installing against a solid wall.



Framing Dimensions & Specifications

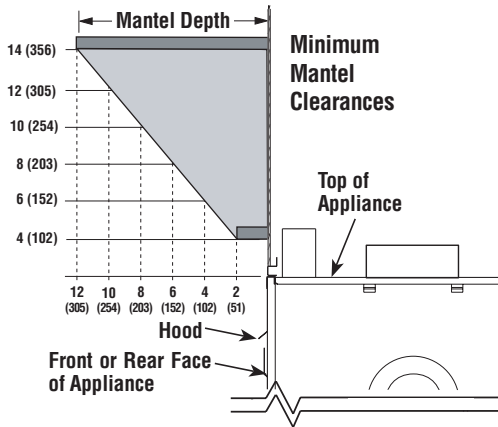
Listing Information

Fireplace Dimensions

SDVST-N

Direct Vent See-Through Fireplaces Millivolt - Natural Gas

Mantel Clearances



Appliance Clearances

MINIMUM CLEARANCES	
Sides	1/2 (13)
Top Spacers	0 (0)
Floor	0 (0)
Bottom of Appliance To Ceiling	64 (1626)
Vent	3 (76) Top * 1 (25.4) Sides & Bottom
SERVICE CLEARANCES Feet (meters)	
Front & Back Faces	3 ft. (0.9 m)

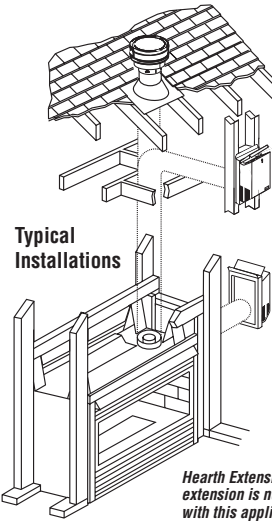
*Note: 3 in. (75 mm) above any horizontal / inclined vent component.

Side Clearances - Combustible materials may project beyond the sides of the fireplace opening as long as they are kept within the shaded areas (See Min. Side Clearances below).

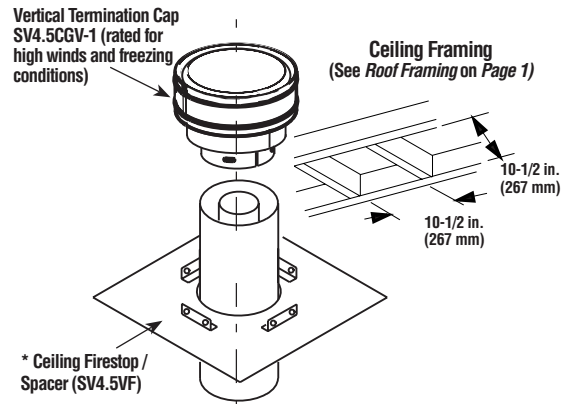
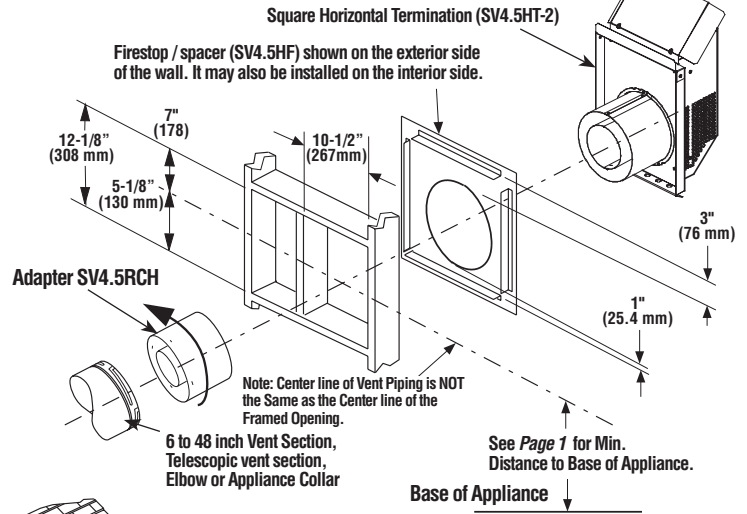
Maintain clearances from appliance to combustible materials as detailed in the **Table** on the left, with the following exception: When the appliance is installed with one side flush with a wall, the wall on the other side of the appliance must not extend beyond the front edge of the appliance. In addition, when the appliance is installed in the middle of a room, the side walls surrounding the appliance must not extend beyond the front edge of the appliance.

flush with a wall, the wall on the other side of the appliance must not extend beyond the front edge of the appliance. In addition, when the appliance is installed in the middle of a room, the side walls surrounding the appliance must not extend beyond the front edge of the appliance.

Specifications and clearances are subject to change without notice. Refer to Installation Manual before installation of these appliances for updated dimensions and instructions.



Venting

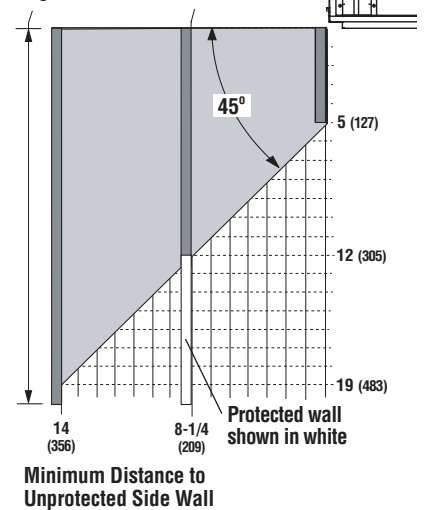


Combustible Materials Allowed In Shaded Area "Safe Zone." Combustible Walls shown in dark gray.

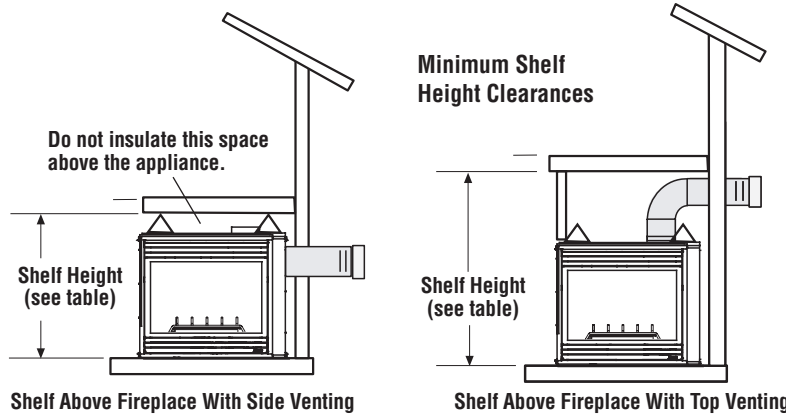
At 14" minimum side wall clearance, a combustible wall can project to any length.

At 8-1/4" side wall clearance, a combustible wall can project 12"

Side Wall Clearances



Shelf Height



Model No.	Shelf Height - Inches (millimeter)		
	Side Vent - Straight Out Back	Top Vent - with One 90 Degree Elbow	
	Secure Vent & Secure Flex	Secure Vent	Secure Flex
SDVST-N	41-1/8 (1045)	53-1/2 (1359)	55-1/4 (1403)