

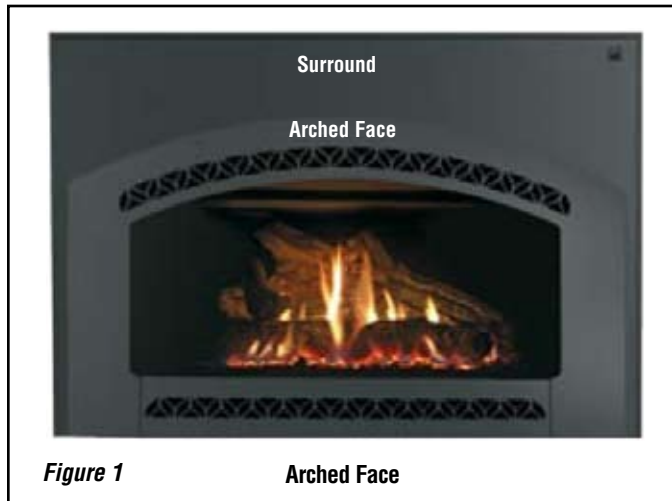
## INSTALLATION INSTRUCTIONS FOR INSTALLING ARCHED FACE KITS FOR USE WITH THE SDVI GAS FIREPLACE INSERT

### KIT CONTENTS (See *Figure 1*):

Please ensure that all these parts are in one of the two boxes.

- 1 ea. Surround Kit
- 1 ea. Surround Trim Kit
- 1 ea. Face Kit
- 1 ea. Instruction Sheet

Face / Surround Panel Kits (Required) - Includes Black Face, Surround, and Black Trim		
Cat. No.	Model	Description
H7016	SDVI-A-BKN	Arched Black Nickel Face, Surround (27" x 39"), and Black Trim
H7015	SDVI-A-BRN	Arched Brushed Nickel Face, Surround (27" x 39"), and Black Trim
H7014	SDVI-A-B	Arched Black Face, Surround (27" x 39"), and Black Trim



### TOOLS NEEDED:

Flat Bladed Screwdriver

### GENERAL INFORMATION

**All of these parts may scratch and bend, great care should be used in handling them.**

If you encounter any problems, need clarification of these instructions or are not qualified to properly install this kit, contact you local distributor or dealer.

Read this instruction sheet in its entirety before beginning the installation.

**ALL WARNINGS AND PRECAUTIONS IN THE INSTALLATION AND OPERATION MANUAL PROVIDED WITH THE APPLIANCE APPLY TO THESE INSTRUCTIONS.**

**TURN OFF THE FIREPLACE AND ALLOW IT TO COMPLETELY COOL BEFORE PROCEEDING.**



### IMPORTANT

**If you have a gold or nickel face kit, be sure to clean it with a soft cloth and household glass cleaner prior to burning the insert. Fingerprints left on the plated surfaces while burning will usually remain on the finish permanently.**

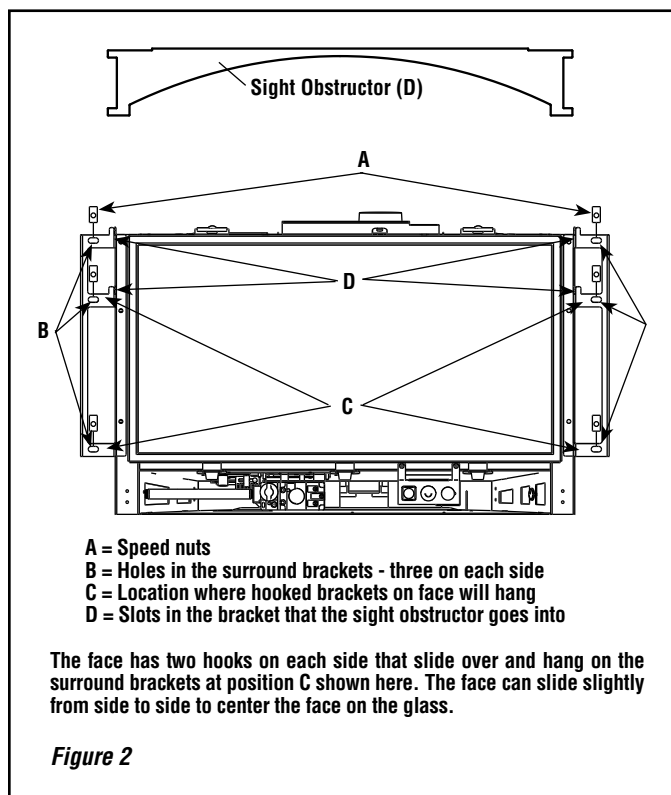
### INSTALLATION INSTRUCTIONS

#### Surround Panels Installation

The SDVI insert surround panels are made of heavy gage steel for durability and, if desired, for the ease of making an inside fit in the fireplace.

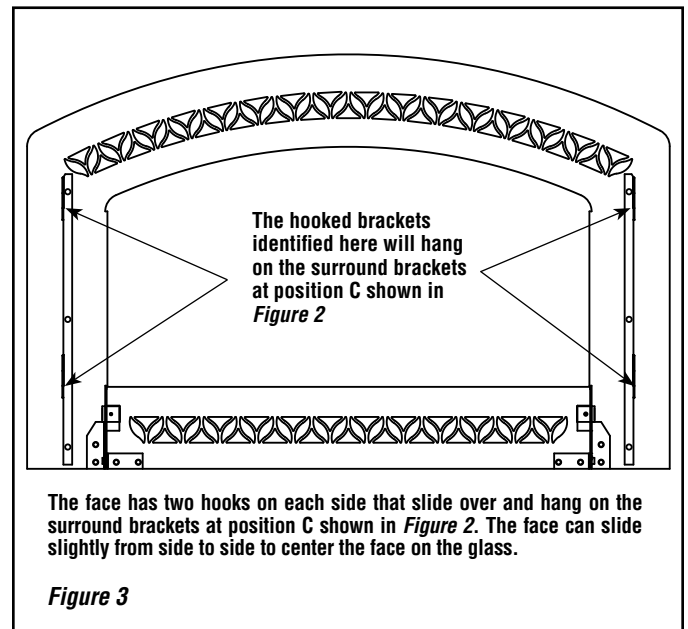
**Step 1.** Remove the speed nuts from the parts bag, supplied with the insert (A in *Figure 2*) and install (with the flat surface forward) on the six holes in the surround brackets - three on each side of the insert (B in *Figure 2*). A flat bladed screwdriver may help in installing the nuts.

- Step 2.** Install all surround panels and trim with the insert positioned in the fireplace but a few inches in front of its final location.
- Step 3.** Install the side surround panels by lining up the holes in the tabs on the side surround panels in front of the holes on the surround brackets. Next insert two slotted 1/4" truss screws for each side surround panel and secure loosely.
- Step 4.** Fasten top surround panel with the remaining two truss screws. Tighten all six truss screws after adjusting the surround panels to eliminate space between side and top surround panels.
- Step 5.** Assemble the surround trim by inserting the elbowed retainer in the rectangular slot in the ends of the longest piece of trim and secure by tightening the screw in the retainer. Slide the mitred ends of the two side trim pieces onto the elbowed retainer and secure by tightening the retainer screw.
- Step 6.** The fastened trim pieces should now be horseshoe shaped. Slide the trim down over the surround panels so the edge of the surround panel fits just behind the rounded edge of the trim.
- Step 7.** Install three spring clips (found in parts bag in firebox) in each piece of trim by inserting them between the rear of the surround panel and the channel of the trim. The spring clips will push the trim tight to the surround panel.



## Arched Face Installation

- Step 8.** Remove the face from the box (see **Figure 3**) and place the face down making sure that the side with the studs are facing upwards. Be sure that the front of the face is lying on a soft non-abrasive surface.
- Step 9.** The sight obstructor is installed with the curved edge down and the bent edge towards the insert. Slide the tabs on the obstructor into the slots (D in **Figure 2**) in the surround brackets.
- Step 10.** Install the face onto the surround brackets at position C (shown in **Figure 2**) and per the instructions in **Figure 3**.



NOTE: DIAGRAMS & ILLUSTRATIONS ARE NOT TO SCALE.

Lennox reserves the right to make changes at any time, without notice, in design, materials, specifications, prices and also to discontinue colors, styles and products. Consult your local distributor for fireplace code information.