

# INSTALLATION INSTRUCTIONS

## For The Decorative Brass Surround Kits

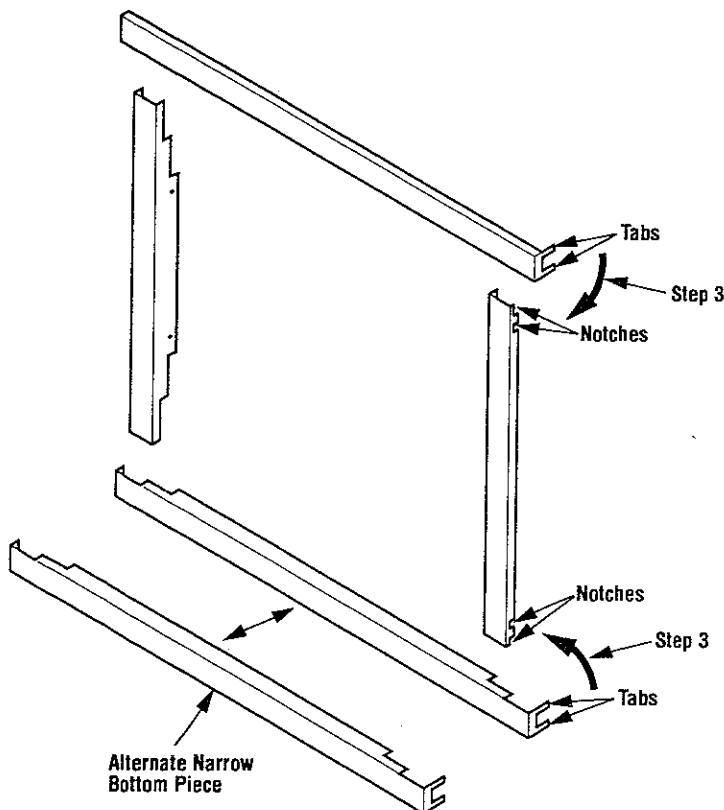
Models  
\_BSK-5, \_BSK-6  
And \_BSK-8

Designed For Use With  
\_DV5000, \_DV6000,  
\_DV8000, \_CF5000,  
\_CF6000, \_VF4000,  
\_VF5000 and \_VF6000  
Gas Appliances

These five-piece decorative brass surround kits are designed for use with \_DV, \_CF and \_VF Series appliances. Use Model \_BSK-5 with \_DV5000, \_CF5000, \_VF4000 and \_VF5000 Series appliances. Use Model \_BSK-6 with the \_DV6000, \_CF6000 and \_VF6000 Series appliances. Use Model \_BSK-8 with the \_DV8000 Series appliances.

These kits are easy to install. The five-piece decorative brass surround kits can be installed without the bottom or top pieces to customize the look of your appliance. These kits can be retrofitted to previously installed appliances.

**Note:** The surround components of this kit incorporate a flanged edge that fits around the outer front face of the appliance. If previously installed appliances are finished out tightly against their perimeter these trim kits may not be conveniently used.



**Note:** Underscore is used here in place of a letter character which varies by product line. Letter shown in the first position of the Model Number is designated as follows: S = Superior, F = Fireplus, H = Hearthstar

NOTE: DIAGRAMS & ILLUSTRATIONS NOT TO SCALE.

SFC reserves the right to make changes at any time, without notice, in design, materials, specifications, prices and also to discontinue colors, styles and products. Consult your local distributor for fireplace code information.

Printed in U.S.A. © 1997 by SFC  
P/N 903429 REV. D 4/98

The five-piece decorative brass surround kits described in this document contain all the components necessary to complete the task.

It is recommended that the installation manual provided with the appliance be read completely and understood thoroughly before proceeding with the installation of the kit. All warnings and precautions in that document apply to these instructions.

## INSTALLATION

**Note:** Prior to installing the brass components remove all of the protective plastic coating.

**Step 1.** Turn off the gas supply to the appliance. Allow the appliance to cool to room temperature.

**Step 2.** Remove the glass door frame assembly from the appliance. Remove the upper radiant panel from clean face units.

**Step 3.** Attach the bottom and top components of the brass surround kit to the side components. Bend tabs back and around side components while engaging the notches at both ends to secure. Seat and secure the components together as an assembly.

**Note:** The narrow bottom piece may be used in installations which preclude the use of the wider standard piece, e.g. installations with interfering hearth extensions. The narrow bottom piece installs exactly as the wide piece does.

**Step 4.** Attach the completed assembly to the appliance by attaching the side components of the brass surround trim kit over the side panels of the fireplace front face. Ensure that the surround components are firmly seated by pressing them against the appliance. Secure with screws (two (2) screws each side panel into the holes at the opening side of the firebox).

**Step 5.** Reinstall the glass door frame assembly. Light the appliance in accordance with the instructions provided with the unit.

## SFC

4325 Artesia Avenue • Fullerton, CA 92833  
714-521-7302  
503 East Reelfoot Avenue • Union City, TN 38261  
901-885-7621