

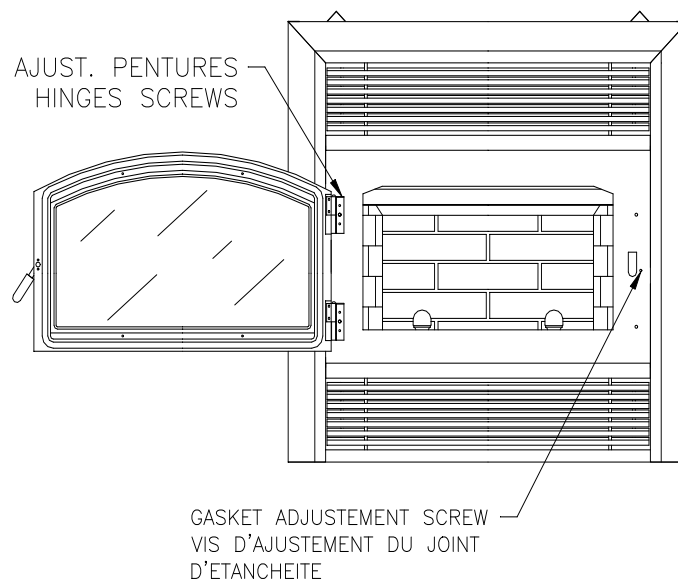
BIS ULTIMA, BISTRADCE, MONTECITO - DOOR INSTALLATION

Door adjustment

The door of the BIS ULTIMA must be completely airtight. To make sure that the door is totally airtight, a paper should not be able to slide between the fireplace facade and the door's gasket. If the door is not totally airtight, there is a screw on the right side of the fireplace facade that can be tightened to adjust the door.

If the alignment of the door needs to be adjusted, simply loosen the upper screw and the lower screw on each hinge which fix the door to the facade (note that the middle screw does not need to be loosened). The door can then be moved side-ways in order to allow for a proper fit.

If there is difficulty closing the door because there is too much compression of the gasket between the door and the fireplace facade (especially on the hinge side), then adjusting the space between the door and the fireplace facade will solve that problem. To adjust, loosen all the screws on each hinge that are fixed on the door. Push the door toward the fireplace facade to increase the space or pull it toward you to reduce that space.



Glass care - Replacement

The glass used for the BIS ULTIMA is a high temperature ceramic glass (1400° F). If the glass breaks, it must be replaced with a ceramic glass. Tempered glass or ordinary glass will not withstand the high temperatures of the BIS ULTIMA. Replacement glass should be purchased from a Security Chimneys International dealer. Do not operate the unit with cracked or broken glass.

Glass care - Cleaning

The BIS ULTIMA is designed to keep the glass clean under normal operating conditions. If the BIS ULTIMA is operated continuously with the combustion air damper closed, the glass will tend to get dirty unless the fuel, firebox and glass are maintained at hot temperatures. To clean the glass, there are a number of specially designed cleaners. Your authorized Security dealer can recommend a suitable cleaner which is available in your area. Regular household glass cleaners will not clean creosote. Do not use abrasives such as steel pads, steel wool or oven cleaner as they will scratch the glass.

SECURITY CHIMNEYS INTERNATIONAL LTD

2125 MONTEREY St. • LAVAL, QUEBEC., CANADA • H7L 3T6 • ☎ (450) 973-9999