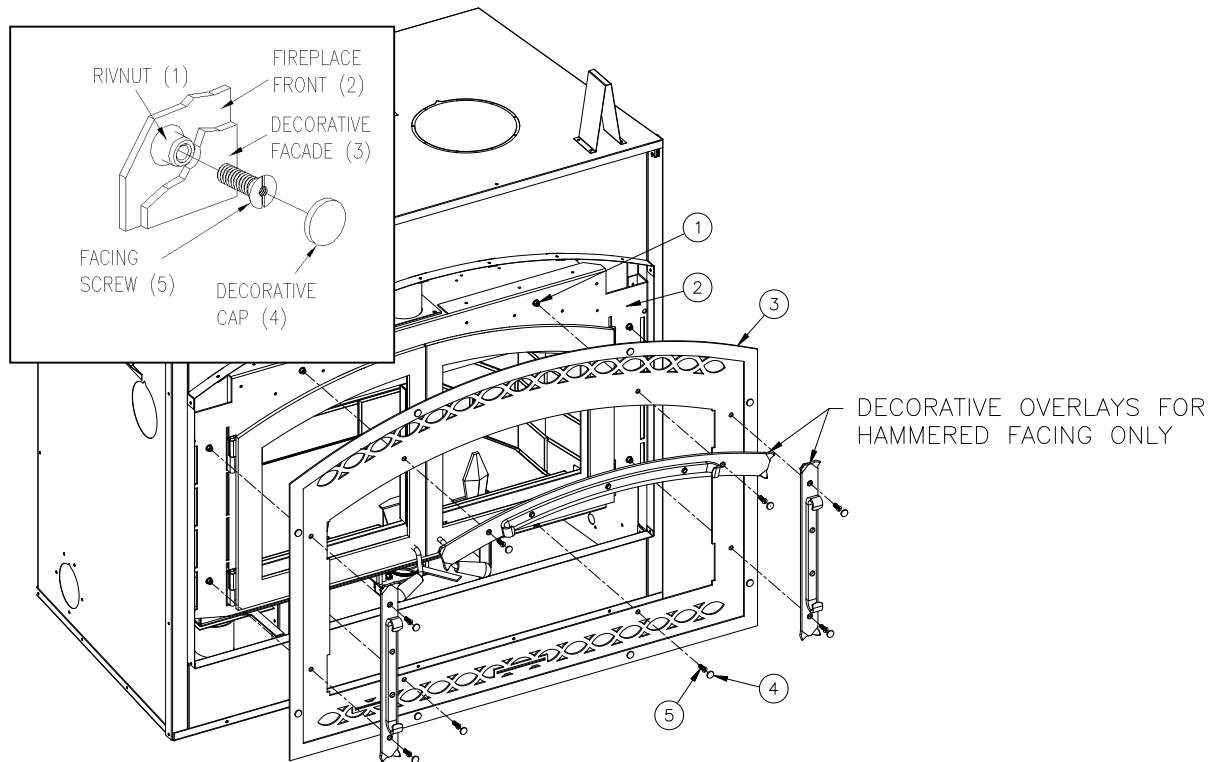


## ***BIS TRADITION and MONTECITO INSTALLING THE DECORATIVE FACADE***



### **Installing the decorative facing**

1. Fix the decorative facade (3) on the fireplace front (2) using 8 facing screws.
2. Cover each of the 16 facing screws (5) with a decorative cap (4).

**SECURITY CHIMNEYS INTERNATIONAL LTD**

2125 MONTEREY St. • LAVAL, QUEBEC., CANADA • H7L 3T6 • ☎ (450) 973-9999