



HEARTH PRODUCTS

HEARTH PRODUCTS
KITS AND ACCESSORIES

P/N 775258M
Rev. A, 10/2010

PILLAR FACE KITS
MODELS RAVENNA™, DESIGNER™ AND RAVELLE™ 30

**INSTALLATION INSTRUCTIONS FOR INSTALLING PILLAR
FACE KITS FOR USE WITH MODELS RAVENNA™,
DESIGNER™ AND RAVELLE™ 30 GAS APPLIANCES**

ELITE™ SERIES



KIT CONTENTS

Please ensure that all these parts are in one of the three boxes. The pillar face comes packaged in three separate boxes. The following items are included in each box:

- Box 1** - Part # 75093
Cast door with glass installed
- Box 2** - Part # 75092
4 ea. Ravelle 30 Mounting Brackets
2 ea. Designer and Ravenna Mounting Brackets
1 ea. Backing Plate With Cast Bottom Attached
8 ea. 5/32" Allen Head Screws
3 ea. Control Knob Extensions
1 ea. Cast Top
1 ea. Left Pillar
1 ea. Right Pillar
- Box 3** - Ornate grills (upper and lower grills) - Part # 75091
or
Traditional grills (upper and lower grills) - Part # 75094

Note: The brackets to attach the pillar face assembly to the appliance are included in the second box. Discard the unused brackets upon completion of the pillar face assembly.

Pillar Cast Face Kits* 37-5/8" W x 23-3/4" H		
Cat. No.	Model	Description
75093	PILCST-GLASS	Glass Door (Box 1 of 3)
75092	PILCST-PILRS2	Back, Pillars, Top (Box 2 of 3)
75094	PILCST-GRL-TRD3	Traditional Bar Grills (Box 3 of 3) OR
75091	PILCST-GRL-FIL3	Ornate Filigree Grills (Box 3 of 3)

* **Ravenna and Designer ONLY** - The pillar cast face kits also requires the use of the surround kits listed below (sold separately - See reference information on **Page 6**). **The surround kit must be installed prior to the installation of the pillar cast face kit.**

Ravenna and Designer Cast Surround Kits (ref. form # 775,292M)		
Cat. No.	Model	Description
75156	RDV-DBV-PCFP3044-TOP,	30 x 44 Top (Box 1 of 2)
75157	RDV-DBV-PCFP3044-SIDES	30 x 44 Sides (Box 2 of 2)



Figure 1A



Figure 1B

TOOLS NEEDED

- Phillips Screwdriver
- 5/32" Allen Wrench or T-Handle Wrench

GENERAL INFORMATION

If you encounter any problems, need clarification of these instructions or are not qualified to properly install this kit, contact you local distributor or dealer.

Read this instruction sheet in its entirety before beginning the installation.

ALL WARNINGS AND PRECAUTIONS IN THE INSTALLATION AND OPERATION MANUAL PROVIDED WITH THE APPLIANCE APPLY TO THESE INSTRUCTIONS.

TURN OFF THE FIREPLACE AND ALLOW IT TO COMPLETELY COOL BEFORE PROCEEDING.

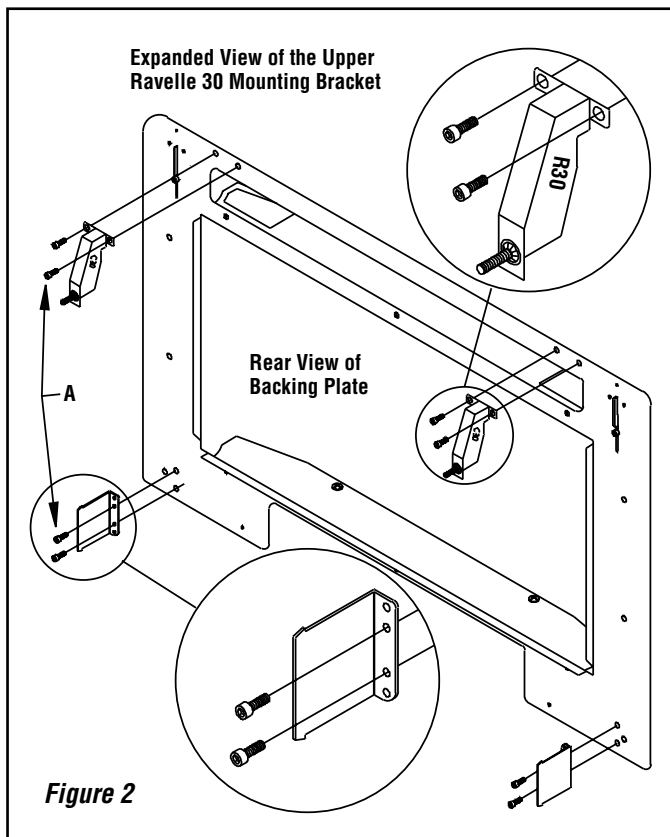
Note: Skip the steps that do not specify your model appliance.

INSTALLATION INSTRUCTIONS

Step 1. Designer™ and Revenna™ inserts - Install the *Cast Surround Kit* (sold separately) per the instructions provided in the kit (see **Page 1** for ordering information and **Page 6** for reference information).

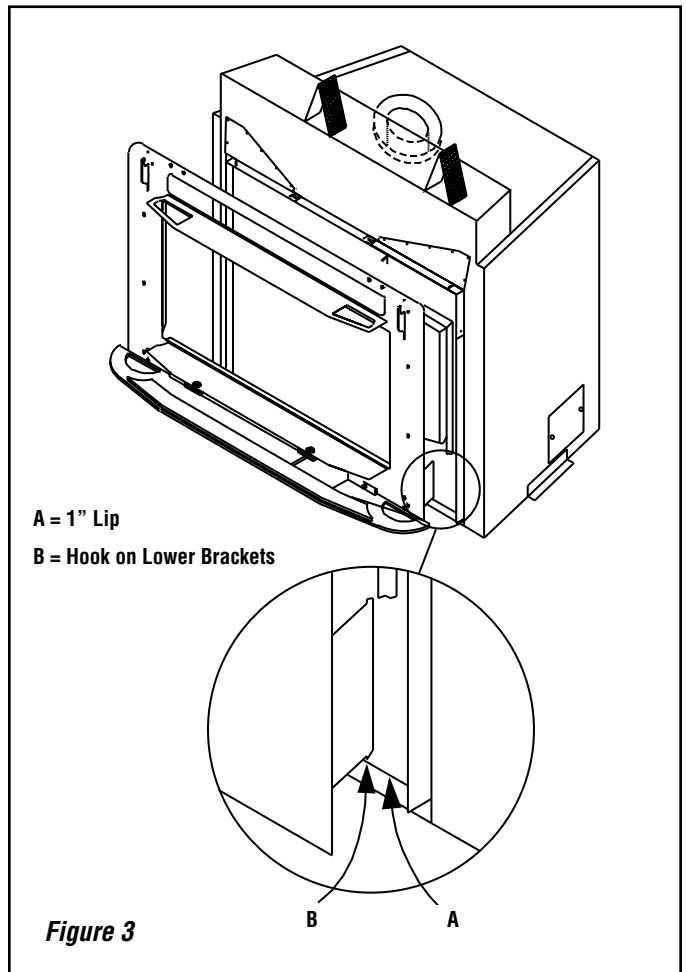
Step 2. Ravelle™ 30 fireplace - Pillar Face Assembly Instructions:

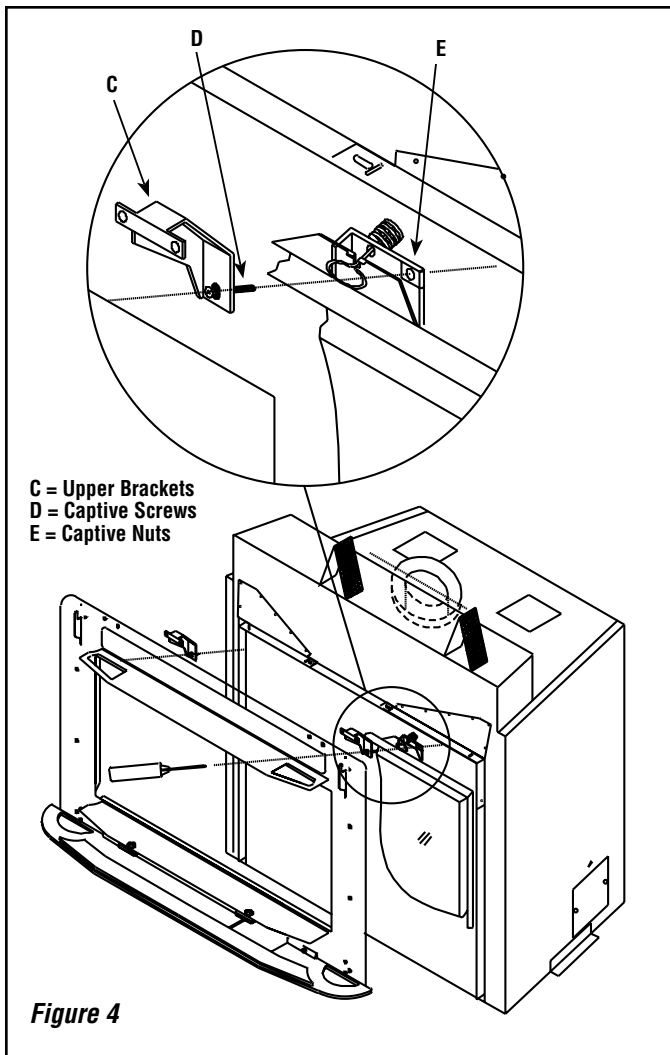
- a) Remove the backing plate and the two upper and two lower Ravelle 30 mounting brackets from the box.
- b) The two brackets with the captive screws are the upper brackets. They are interchangeable left to right. Position the upper and lower brackets as shown below and secure each bracket with two 5/32" allen head screws (A in **Figure 2**).
- c) See step 3 for instructions on mounting the backing plate to the Ravelle 30 fireplace.



Step 3. Ravelle 30 Fireplace - Backing Plate Installation Instructions:

- a) There is a 1" lip (see A in **Figure 3**) at the lower front of the fireplace. The lower brackets on the backing plate have a hook (see B in **Figure 3**) on their bottom edge. The face should be placed so the hook on the lower bracket catches the 1" lip on the fireplace. The weight of the backing plate should now be resting on the 1" lip of the fireplace.
- b) The upper brackets (see C in **Figure 4**), which were installed on the backing plate following the instructions on the previous page, contain a captive screw (see D in **Figure 4**). The captive screws D on these brackets should be screwed into captive nuts (see E in **Figure 4**) on the fireplace. A phillips head screwdriver inserted through the large hole in the backing plate can be used to complete this task.





Step 4. Designer™ and Ravenna™ Gas Inserts - Pillar Face Assembly Instructions:

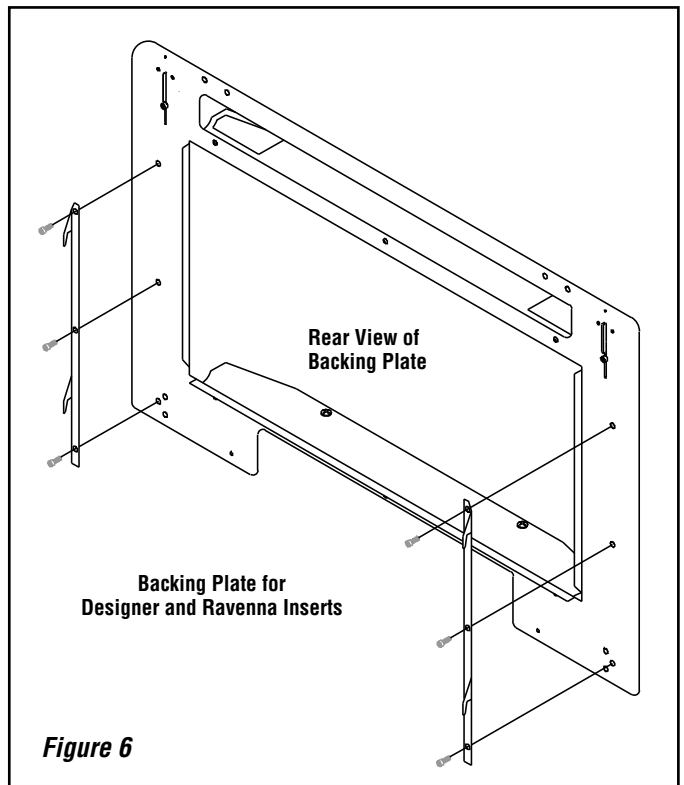
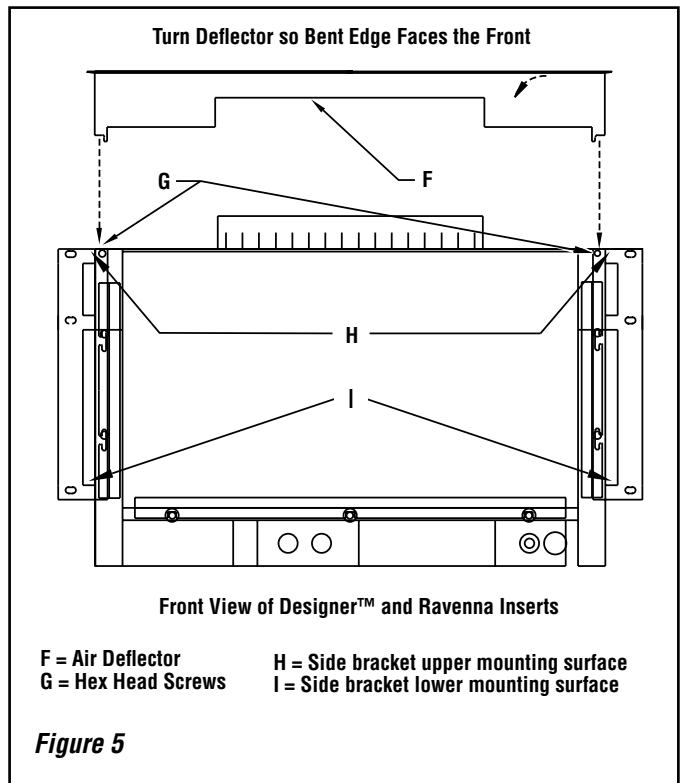
- a) Remove the backing plate and the two mounting brackets from the box.
- b) The brackets should be positioned with the hooks pointing down and the holes located toward the center of the backing plate (see **Figure 5**). Secure each bracket with three 5/32" allen head screws in the three holes in the backing plate as shown in **Figure 6**.

Step 5. Designer and Ravenna Gas Inserts - Air Deflector Installation Instructions:

Packaged with the stove is an air deflector (see F in **Figure 5**). Prior to installing the surround panels and pillar face, the air deflector should be installed by loosening the two 5/32" hex head screws (see G in **Figure 5**), positioning the deflector so the tabs are down and the bent edge is facing the front of the insert, sliding the tabs on the deflector behind the surround brackets, and then retightening the screws.

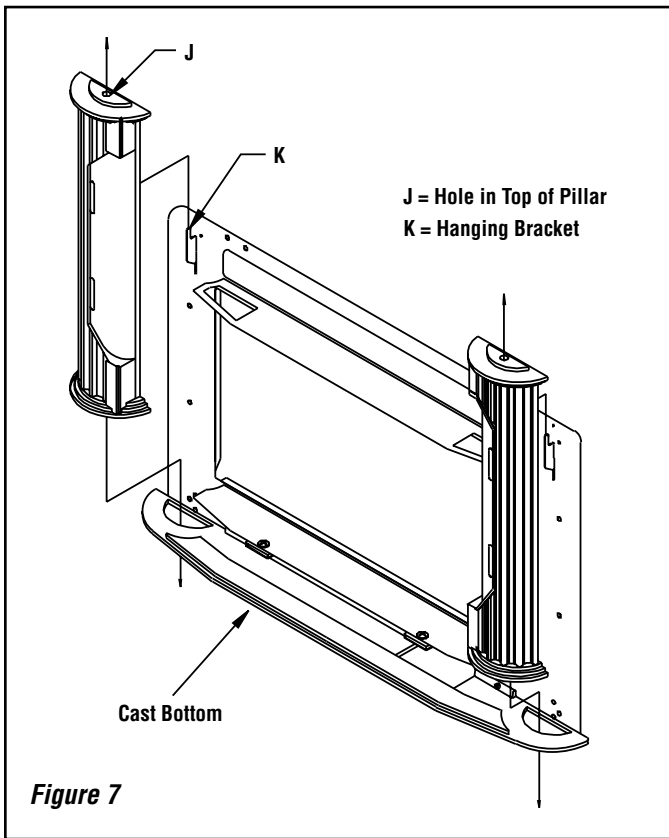
Step 6. Designer and Ravenna Gas Inserts - Backing Plate Installation Instructions:

The mounting brackets just installed on the backing plate have two hooks on them. To install the backing plate on the Designer and Ravenna inserts, lift the backing plate and place the hooks on the brackets over surfaces H and I (see **Figure 5**) on the side surround brackets.



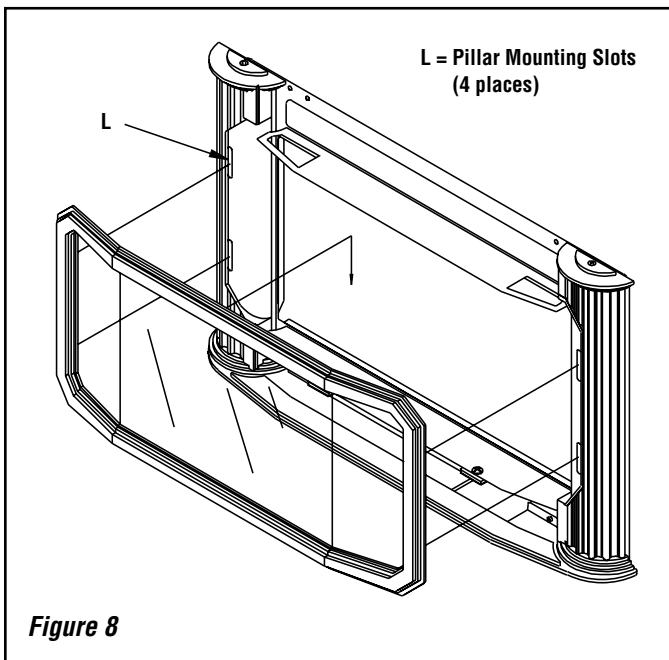
Step 7. All Models - Pillar Installation Instructions:

There is a hole in the top of each pillar (see J in **Figure 7**). With the pillar upright (hole J on top) and the vertical fluting to the outside, place the bottom of the pillar in the semicircular hole in the cast bottom, while sliding hole H down over hanging bracket K. Repeat this procedure for the other pillar.



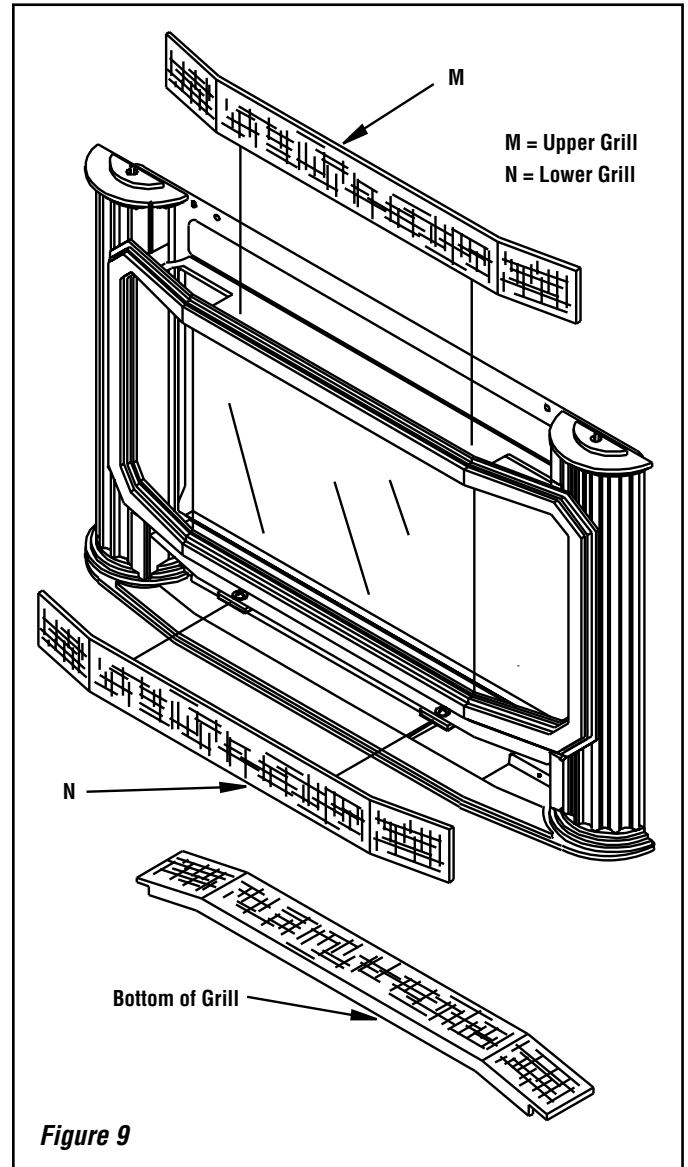
Step 8. All Models - Door Installation Instructions

Rotate the door so the hooks on the two mounting brackets attached to the back of the door are pointing down. Each pillar has two slots (see L in **Figure 8**). Slide the hooks on the door brackets into the four slots (L) in the two pillars and push the door down until the hooks rest in the slots (L).



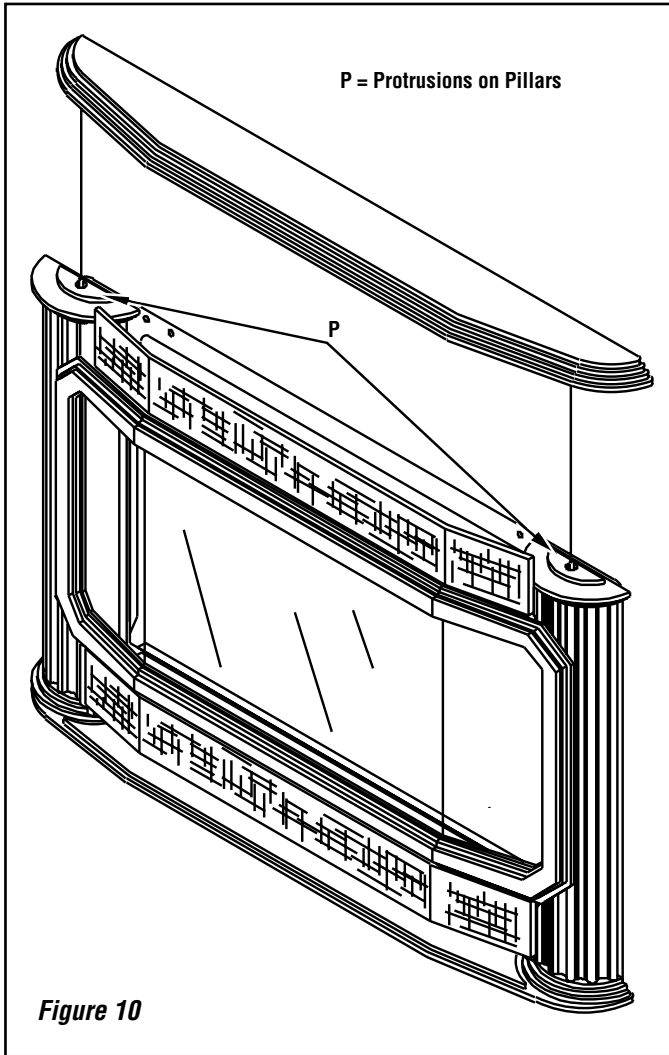
Step 9. All Models - Grill Installation Instructions:

Two distinct looks can be obtained by installing either the ornate grills or the traditional grills on your pillar face (see **Figure 1B** on **Page 1**). The bottom of the grill (see **Figure 9**) has a return on it. To install the upper grill (see M in **Figure 9**), rotate the grill with the bottom down and place the grill on top of the door. Push the grill back until it rests against the recess in the pillars. To install the lower grill (see N in **Figure 9**), rotate the grill with the bottom down and place the grill on top of the cast bottom. Push the grill back until it rests against the two magnets.



Step 10. All Models - Top Installation Instructions:

The underside of the top has a semicircular recess at both ends. The pillars have a corresponding semicircular protrusion. Rotate the top as shown in **Figure 10** and position the top so the recess in each end slides over the protrusions on the pillars (see P in **Figure 10**).



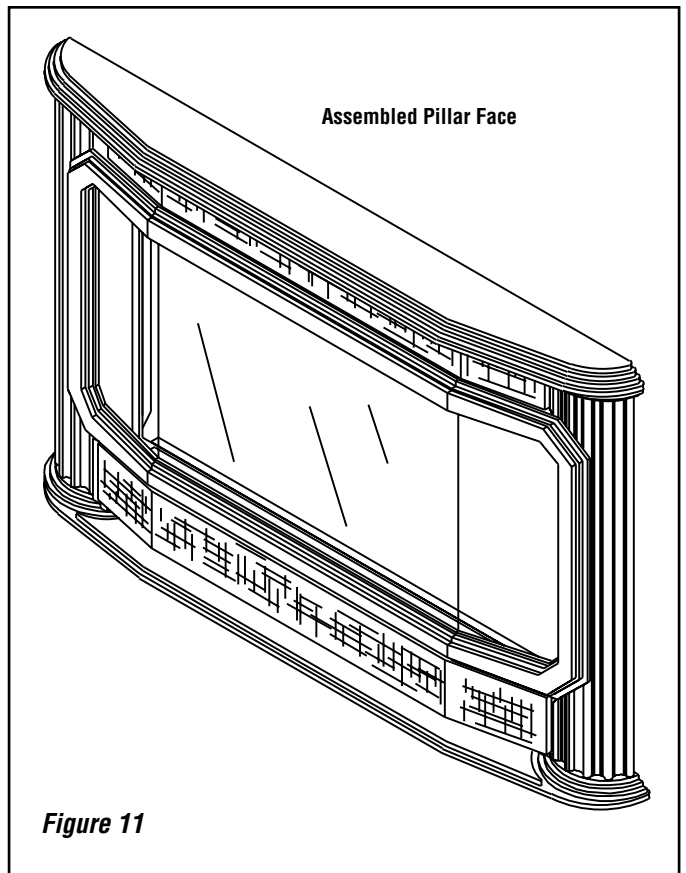
Step 11. All Models - Face Removal:

To remove the face from the gas appliance, disassemble the parts in the reverse order of assembly.

Step 12. All Models - Access to the Appliance Controls:

To obtain access to the gas appliance controls, pull the lower grill forward and set aside. To reinstall, push the grill up against the magnets for proper alignment.

CAUTION: The pillar face is hot while the appliance is burning. To avoid injury, be sure components are cool before touching.



Step 13. All Models - Extended Knob Installation Instructions:

When installing a cast pillar face on these appliances, use of these extended knobs are needed for ease of access to the gas controls.

- a) Locate the gas valve controls (see **Figure 12**).
- b) Remove the phillips screw from the pilot/on/off gas control knob as shown (see **Figure 13**).
- c) Re-install the replacement control knob using the phillips screw taken out in step b (see **Figure 14**).
- d) Extension knobs can now be pressed on both controls (see **Figure 15**).

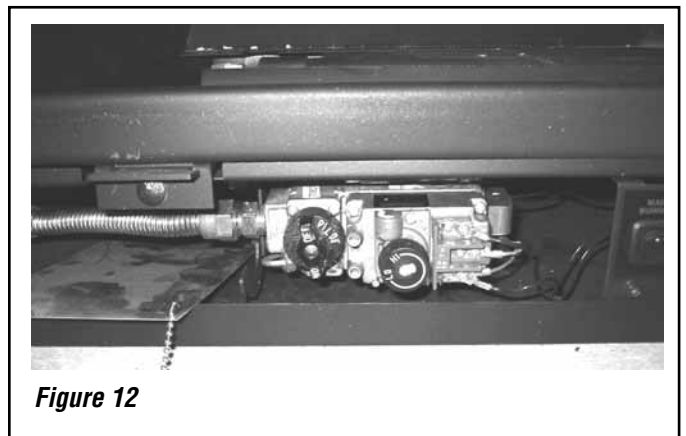




Figure 13

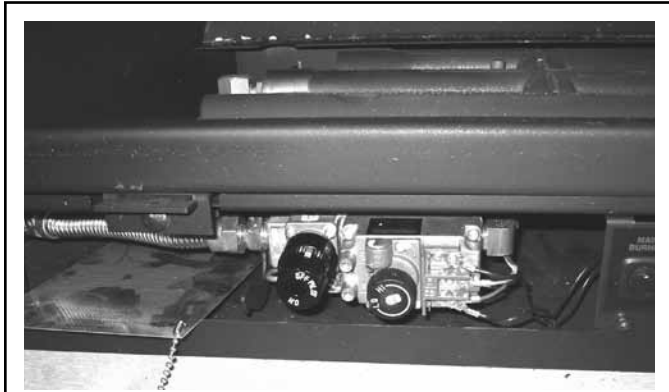


Figure 14



Figure 15

REFERENCE INFORMATION

Designer™ and Ravenna™ Fireplace Inserts - *Figure 16* shows the dimensions of the cast surround kit. See ordering information on *Page 1*.

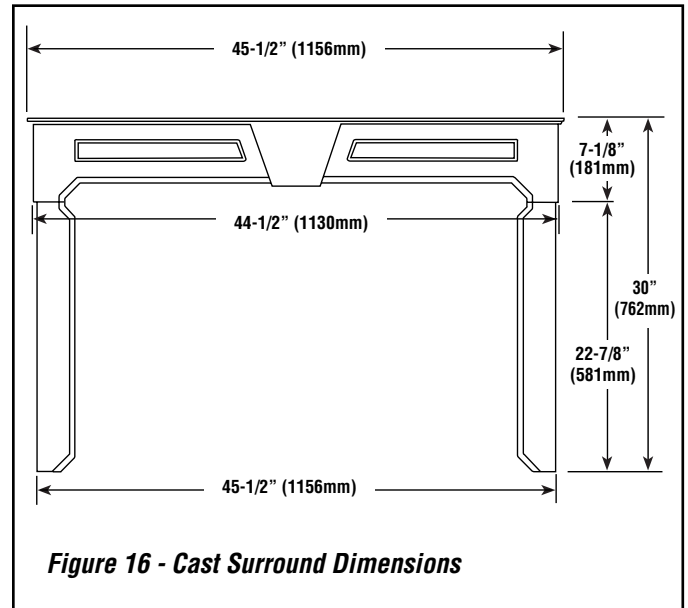


Figure 16 - Cast Surround Dimensions

NOTE: DIAGRAMS AND ILLUSTRATIONS ARE NOT TO SCALE.

Lennox Hearth Products reserves the right to make changes at any time, without notice, in design, materials, specifications, prices and also to discontinue colors, styles and products. Consult your local distributor for fireplace code information.

LENNOX
HEARTH PRODUCTS