



HEARTH PRODUCTS

HEARTH PRODUCTS
KITS AND ACCESSORIES

P/N 506033-54
Rev. NC, 08/2011

GRANDVIEW™ LEG
ASH DRAWER KIT

INSTALLATION INSTRUCTIONS FOR INSTALLING A LEG ASH DRAWER KIT ON A GRANDVIEW™ WOODSTOVES



KIT CONTENTS

Please ensure that all these parts are included

- 1 ea. Leg Ash Drawer
- 1 ea. Leg Ash Drawer Cradle
- 1 ea. Ash Plug
- 1 ea. Ash Plug Removal Tool
- 4 ea. 10/24 Self Tapping Screws
- 1 ea. Instruction Sheet

Grandview™ Leg Ash Drawer Kit		
Cat. No.	Model	Description
H8345	ASHDR-KIT-LEG-GV	Leg, Ash Drawer Kit

TOOLS NEEDED

- 5/32" Allen Wrench
- 1/4" Wide Standard Screwdriver

GENERAL INFORMATION

If you encounter any problems, need clarification of these instructions or are not qualified to properly install this kit, contact you local distributor or dealer.

Read this instruction sheet in its entirety before beginning the installation.

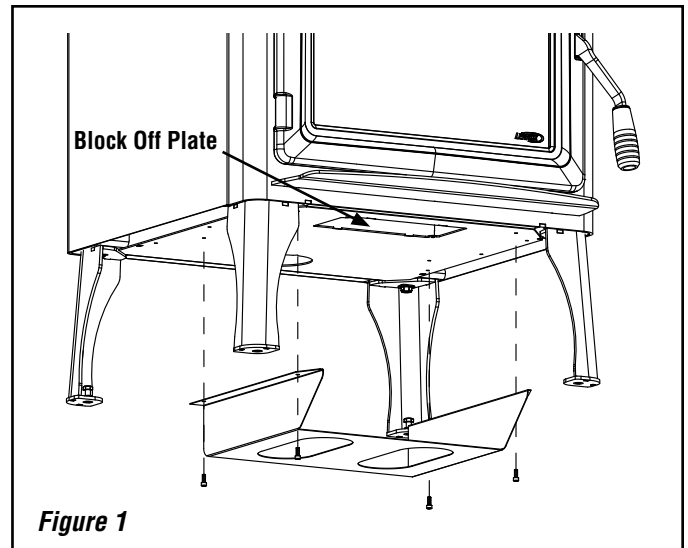
ALL WARNINGS, PRECAUTIONS AND INSTRUCTIONS IN THE INSTALLATION AND OPERATION MANUAL PROVIDED WITH THE APPLIANCE APPLY TO THESE INSTRUCTIONS.

Check the contents of the kits upon receipt and check for any damaged or missing parts. If there is hidden damage, notify your freight company or Lennox Hearth Products dealer immediately.

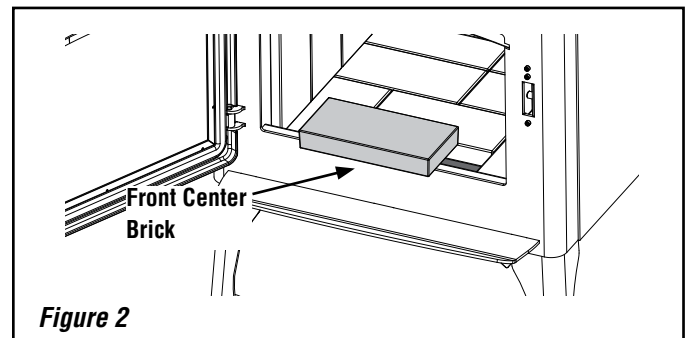
CAUTION: Wear gloves during installation in case of sharp edges on the stove.

INSTALLATION INSTRUCTIONS

- Step 1.** Using a 5/32" allen wrench, remove the two allen head screws fastening temporary lower ash dump block off plate to bottom of stove. **Save these two screws.**
- Step 2.** Locate the four ash drawer cradle mounting holes on the bottom of the stove.
- Step 3.** Using a 5/32" allen wrench, install ash drawer cradle to bottom of stove using the four supplied allen head screws.



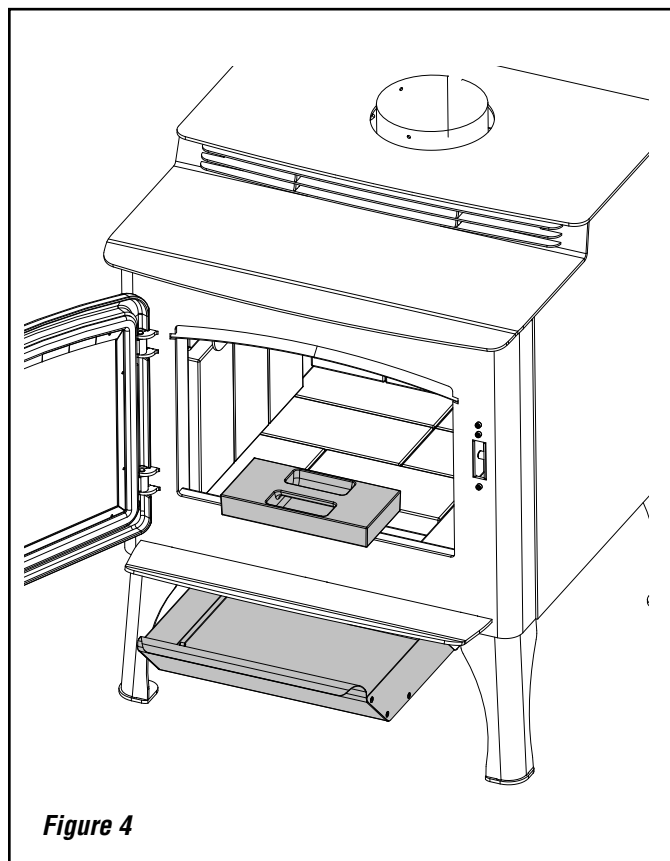
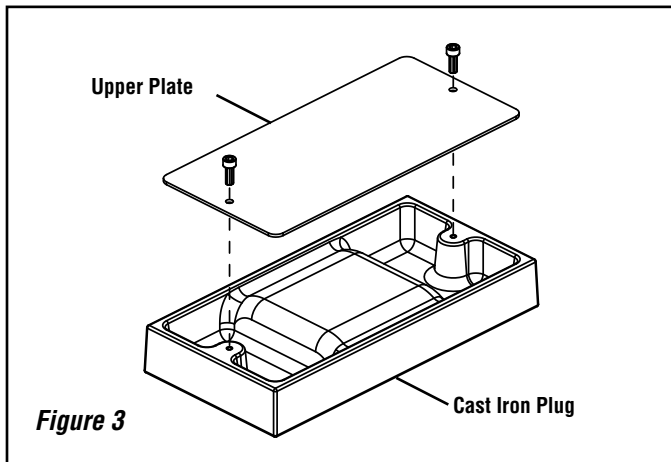
- Step 4.** Remove front, center brick from stove, exposing upper temporary ash dump block off plate.



Step 5. Remove upper plate by placing a flat head screwdriver in the center slot. Use the screwdriver as a lever to work the plate side to side until the plate breaks free.

Step 6. Fasten the upper plate (removed in Step 5) to the bottom of cast iron ash plug with the two screws saved from removing lower plate (removed in Step 1).

Step 7. Place cast iron ash plug over ash dump and slide ash drawer into cradle.



ASH DRAWER USE

Use the ash rake to remove the cast iron plug when ashes need to be removed from the firebox. The rake should also be used to rake ashes into the ash drawer and to clean out around the plug hole before reinstalling the cast iron plug.

⚠ WARNINGS

READ AND FOLLOW ALL INSTRUCTIONS REGARDING THE HANDLING AND DISPOSAL OF ASHES AS HOT COALS MAY REMAIN HOT ENOUGH TO CAUSE A FIRE FOR UP TO 3 DAYS! DO NOT ATTEMPT TO EMPTY ASHES WHILE THE STOVE IS HOT. USE GLOVES WHILE EMPTYING ASHES FOR YOUR OWN PROTECTION.

NOTE: DIAGRAMS AND ILLUSTRATIONS ARE NOT TO SCALE.

Lennox Hearth Products reserves the right to make changes at any time, without notice, in design, materials, specifications, prices and also to discontinue colors, styles and products. Consult your local distributor for fireplace code information.

LENNOX
HEARTH PRODUCTS