



HEARTH PRODUCTS

HEARTH PRODUCTS
KITS AND ACCESSORIES

P/N 506033-62
Rev. NC, 09/2011

LEG LEVELING KITS

**INSTALLATION INSTRUCTIONS FOR INSTALLING LEG LEVELING KITS FOR
USE WITH COUNTRY COLLECTION™ MODELS S160, SS210, ST210, S260,
ST310 AND GV230 FREESTANDING WOODSTOVES**



KIT CONTENTS

Please ensure that all these parts are included

CASCADE LEGS

- 2 ea. 1/4"-20 x 1" Hex Bolts
- 4 ea. 1/4"-20 Hex Nuts
- 1 ea. Instruction Sheet

OLYMPIC LEGS

- 2 ea. Oval Washers
- 2 ea. 10-24 x 1/2" Screws
- 1 ea. Instruction Sheet

COASTAL AND LAKEVIEW LEGS

- P/N H8407 Leg Leveling Kit
- 2 ea. 5/16"-18 x 3/4" Hex Bolts
- 1 ea. Instruction Sheet

Note: These kits are included in Coastal, Lakeview, Cascade and Olympic leg kits listed on instruction sheets 506033-14 and 506033-52.

TOOLS NEEDED

CASCADE LEGS

- 7/16" Open End Wrench or Socket

OLYMPIC LEGS

- 5/32" Allen Wrench

COASTAL AND LAKEVIEW LEGS

- 1/2" Open End Wrench or Socket

GENERAL INFORMATION

If you encounter any problems, need clarification of these instructions or are not qualified to properly install this kit, contact your local distributor or dealer.

Read this instruction sheet in its entirety before beginning the installation.

ALL WARNINGS, PRECAUTIONS AND INSTRUCTIONS IN THE INSTALLATION AND OPERATION MANUAL PROVIDED WITH THE APPLIANCE APPLY TO THESE INSTRUCTIONS.

Check the contents of the kits upon receipt and check for any damaged or missing parts. If there is hidden damage, notify your freight company or Lennox Hearth Products dealer immediately.

CAUTION: Wear gloves during installation in case of sharp edges on the stove.

INSTALLATION INSTRUCTIONS - CASCADE LEGS

(see Page 2 for Olympic, Coastal and Lakeview Leg Leveling Instructions)

To level the stove, locate the front leg that is not touching the hearth pad. Start by screwing one of the 1/4"-20 hex nuts onto the 1/4"-20 x 1" bolt till it is almost all the way on the bolt. This must be done to both bolts that are supplied in the kit. Then locate the front leg that is not touching the hearth pad and insert this bolt to the bottom side of the lower bracket on the Cascade-leg. Next you will screw on the 1/4"-20 hex nut to this bolt on the top side of this bottom bracket. Adjust bolt up or down using the 1/4"-20 hex nuts. Once you are at your desired height just snug the hex nuts up on both side of the lower bracket. Use the same process on the other leg diagonal that may be spaced off the hearth. See **Figure 1**.

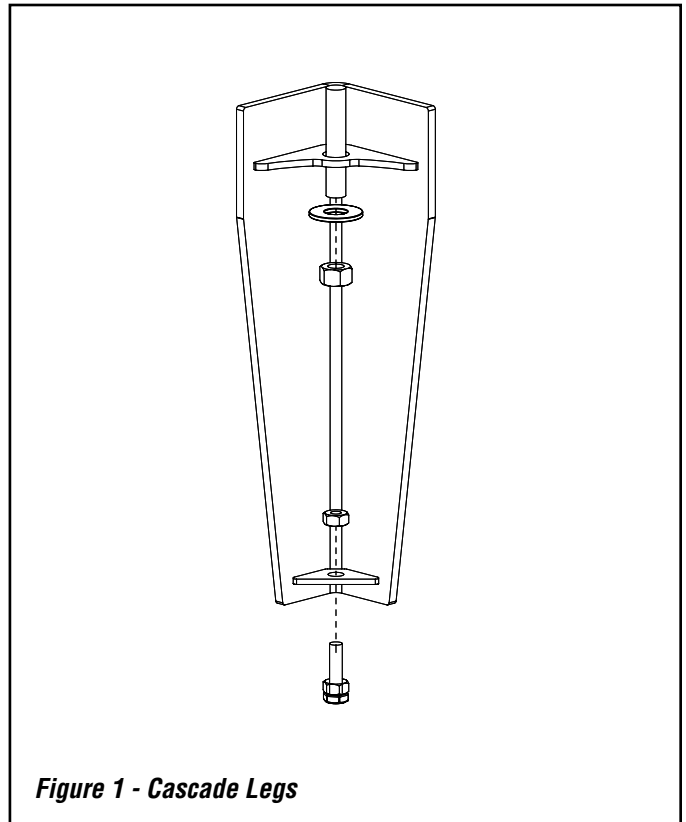
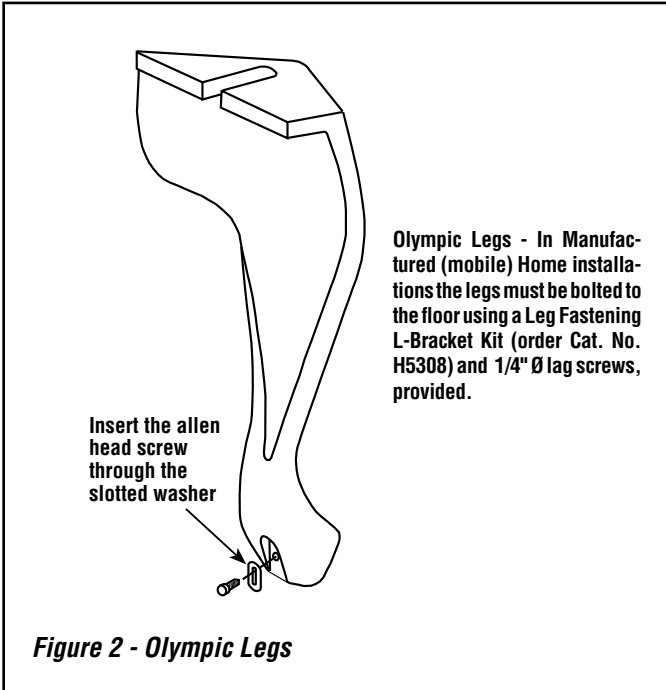


Figure 1 - Cascade Legs

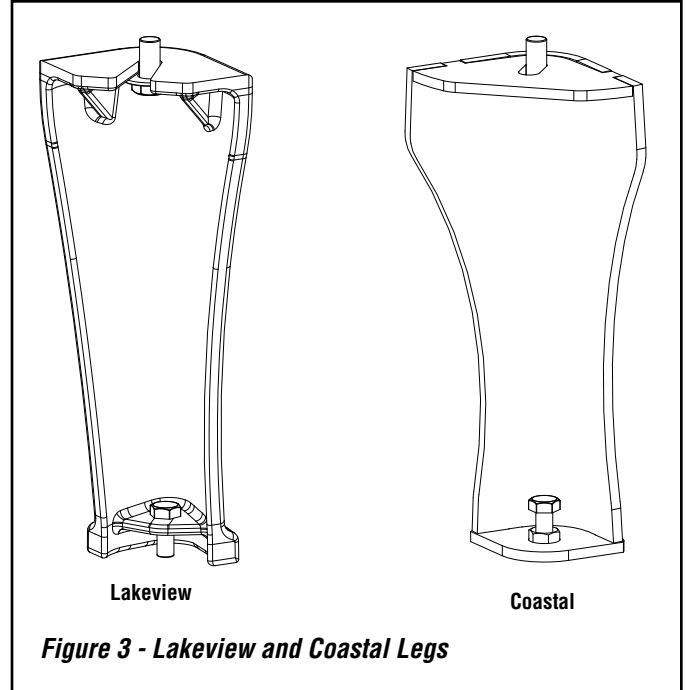
INSTALLATION INSTRUCTIONS - OLYMPIC LEGS

To level the stove on Olympic cast legs, locate the front leg that is not touching the hearth pad. Insert the allen head screw through the slotted washer (supplied with the legs) and into the threaded hole in the bottom of the leg. See **Figure 2**. Push the slotted washer down until it touches the hearth pad and then tighten the screw into the leg using a 5/32" allen wrench. Should any other leg not be resting on the hearth pad, install a washer and screw in that leg as well.



INSTALLATION INSTRUCTIONS - COASTAL AND LAKEVIEW LEGS

To level the stove on Coastal or Lakeview legs, locate the front leg that is not touching the hearth pad. Insert the 5/16" x 3/4" bolt in the leg down towards the bottom of the leg as seen in **Figure 3**. Rotate the bolt in a clockwise direction until the bolt contacts the surface that unit is placed on. Should any other leg not be resting on the hearth pad, install a bolt in that leg and repeat the previous action done on the previous leg.



NOTE: DIAGRAMS AND ILLUSTRATIONS ARE NOT TO SCALE.

Lennox Hearth Products reserves the right to make changes at any time, without notice, in design, materials, specifications, prices and also to discontinue colors, styles and products. Consult your local distributor for fireplace code information.

LENNOX
HEARTH PRODUCTS