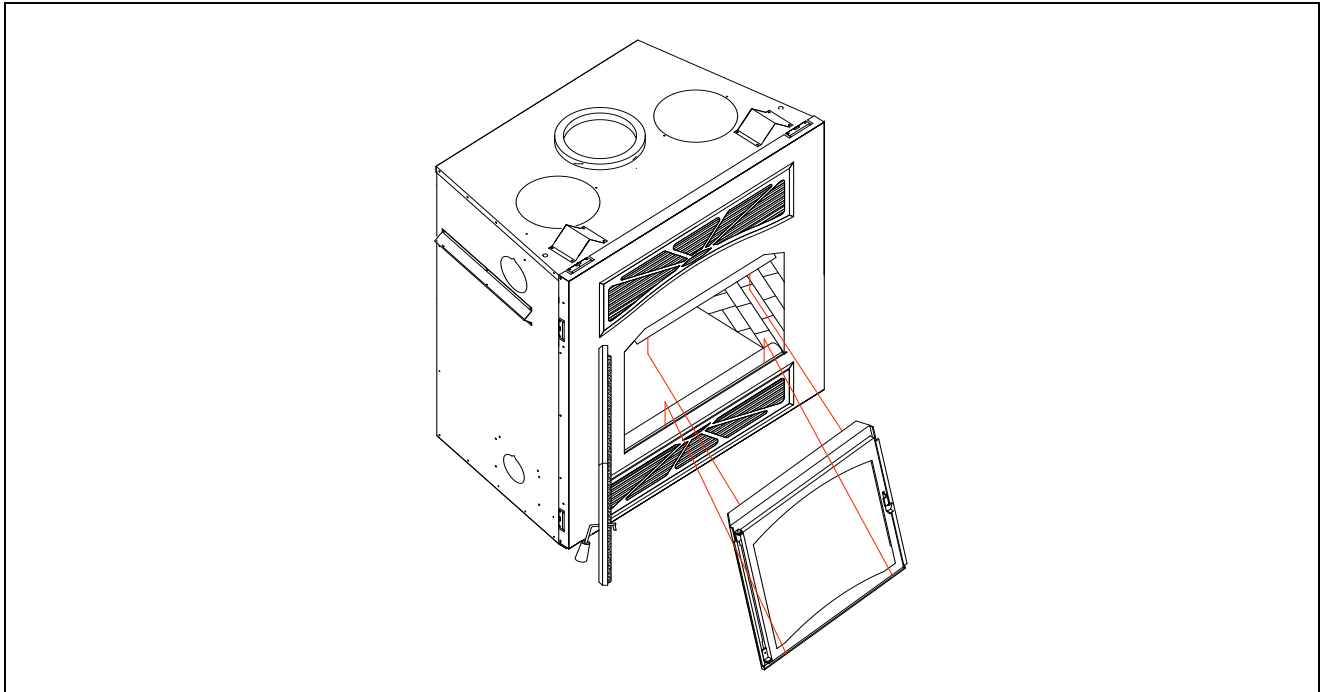
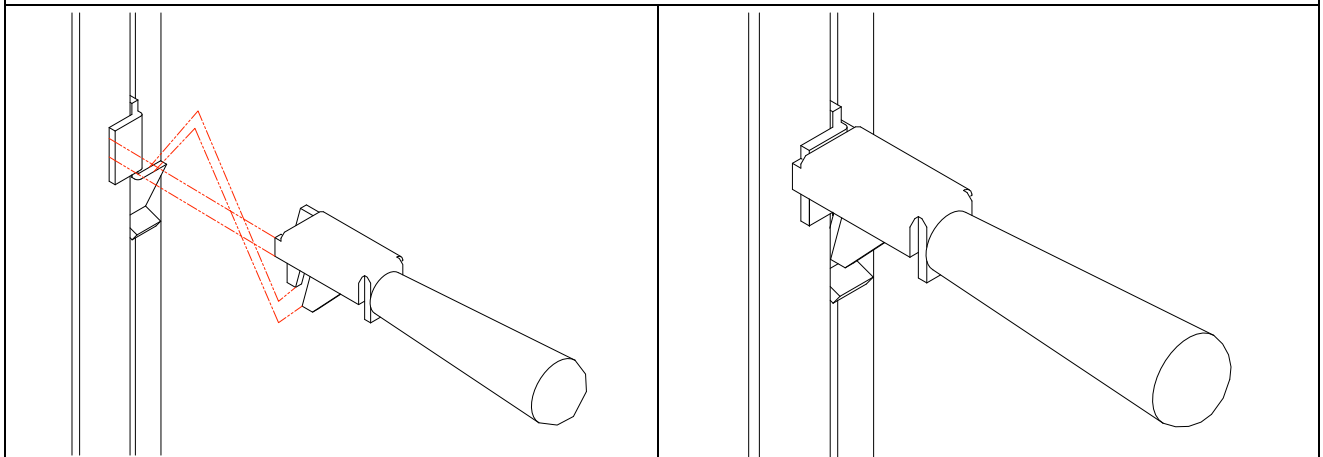


BIS ULTIMA, PANORAMA, TRADITION, TRADITION CE & BRENTWOOD Firescreen installation



- Insert the upper part of the firescreen behind the primary air baffle.
- Insert the lower part of the firescreen behind the lip at the bottom of the facade opening



- Use the removable handle to open and close the firescreen door. Remove the handle when you want to leave the firescreen on with the fireplace door closed.

Important note :

- The firescreen is not designed for use with the fireplace door closed all the time. Continuous use of the firescreen at a high burn rate (with the door closed) can damage the firescreen.
- Do not remove the firescreen while the fireplace is hot, let it cool down. (you can wait overnite for exemple).

SECURITY CHIMNEYS INTERNATIONAL LTD

2125 MONTEREY St. • LAVAL, QUEBEC., CANADA • H7L 3T6 • ☎ (450) 973-9999