



CARE AND OPERATION INSTRUCTIONS

WOOD BURNING FIREPLACES MODELS BC36MH & BCD36MH



36" Wood Burning Fireplaces
P/N 725,042M REV. A 02/2008

MODELS

BC36MH

BCD36MH

The information contained in this manual applies to all model fireplaces identified on this page. This information will help you obtain safe and dependable service from your fireplace system. Keep this document in a safe place for future reference.

Before you start your first fire, read this Care and Operations Manual carefully to be sure you understand your fireplace system completely. Failure to follow these suggestions could result in hazardous operation or fireplace malfunction, creating a serious potential for personal injury and/or property damage.

If you have any questions regarding the safe use or operation of your fireplace, contact your local distributor or your contractor/builder.

Most chimney systems will require onsite completion after placement of the manufactured home.

NATIONAL
FIREPLACE
INSTITUTE



CERTIFIED
www.nficertified.org

We recommend that our woodburning hearth products be installed and serviced by professionals who are certified in the U.S. by the National Fireplace Institute® (NFI) as NFI Woodburning Specialists or who are certified in Canada by Wood Energy Technical Training (WETT).



RETAIN THESE INSTRUCTIONS FOR FUTURE REFERENCE

Tested &
Listed By



Beaverton
Oregon USA

OMNI-Test Laboratories, Inc.

OTL Report No. 116-F-43-2

CONGRATULATIONS!

In selecting this SUPERIOR Wood Burning Appliance you have chosen the finest and most dependable fireplace to be found anywhere. Its a beautiful, prestigious alternative to a masonry wood burning fireplace. Welcome to a Family of tens of thousands of satisfied SUPERIOR Fireplace Owners.

Please carefully read and follow all of the instructions found in this manual. Please pay special attention to the safety instructions provided in this manual. The Homeowner's Care and Operation Instructions included here will assure that you have many years of dependable and enjoyable service from your SUPERIOR product.

TABLE OF CONTENTS

| | |
|--------------------------------------|--------|
| General Safety Precautions | Page 2 |
| General Information | Page 2 |
| Fuels | Page 2 |
| Gas Logs | Page 3 |
| Disposal of Ashes | Page 3 |
| Softwood vs Hardwood..... | Page 3 |
| Starting a Fire..... | Page 4 |
| Damper Control..... | Page 4 |
| Glass Door Operating Safety | |
| Precautions and Instructions | Page 4 |
| Combustion Air | Page 5 |
| Refractories | Page 6 |
| Maintenance Guidelines | Page 6 |
| Twice a Year Check-Up..... | Page 6 |
| Creosote Formation and Removal | Page 6 |
| Troubleshooting | Page 7 |
| Warranty | Page 7 |
| Product Reference Information..... | Page 7 |
| Accessory Components | Page 7 |
| Replacement Parts..... | Page 8 |

This manual is part of a set of two supporting this product. Refer to manual 700,039M for Installation Instructions.

IMPORTANT! GENERAL SAFETY PRECAUTIONS. READ AND UNDERSTAND THESE SAFETY RULES BEFORE YOUR FIRST FIRE.

WARNING

To avoid the risk of damaging fireplace materials and increasing the risk of fire, do not use the fireplace to cook or warm food.

1. NEVER LEAVE CHILDREN UNATTENDED WHEN THERE IS A FIRE BURNING IN THE FIREPLACE.

2. When burning wood, use **SOLID NATURAL DRY WELL-SEASONED WOOD ONLY.** Hardwoods are recommended (soft woods tend to burn very quickly).

- DO NOT burn treated wood, charcoal, coal, trash, driftwood, woods dipped in tar, Christmas tree greens, pitch, pine tar, creosote, chemical chimney cleaners, flame colorants, polystyrene packaging, wood products with synthetic binders (i.e. plywood). Plywood, lumber and other misc. materials can produce abnormally high temperatures, sputtering and smoking fires and may contain hazardous chemicals to treat insects and fungus.
- If *Artificial Logs* are burned it is required that the logs are UL safety listed (see labeling or documentation provided with logs). Read and follow the log manufacturer's instructions. Do not treat artificial logs (made from sawdust and wax) the same way you treat real natural wood logs. Use only one at a time.

- **IMPORTANT:** Burning unapproved fuels can produce excessive temperatures, beyond the design capabilities of the fireplace and may produce excess sparks or may contain hazardous chemicals. **Burning unapproved fuels can result in a chimney fire, a house fire, personal injury, death or loss of property.**

3. NEVER use gasoline, gasoline-type lantern fuel, kerosene, charcoal lighter fluid, or similar liquids to start or "freshen up" a fire in this fireplace. Keep any flammable liquids a safe distance from the fireplace.

4. Keep the chimney damper open while any fire or smoldering embers are present .

5. Never block or restrict the room air intake grille across the bottom front or the warm air outlet grille across the top front of the fireplace.

6. Use care when selecting window treatments for windows located near the fireplace. Avoid using combustible flowing window treatments such as curtains on nearby windows that are of sufficient length to be blown in front of an open flame when the window is opened.

7. Keep any combustible furniture or decorative pillows at least 36" (914 mm) on the sides and 60" (1524 mm) to the front (from the fireplace opening).

8. Never leave your fireplace unattended while it is burning.

9. Be careful adding wood fuel to the fire or handling fireplace tools such as shovels, tongs or pokers.

10. Never modify or alter your fireplace system in any way. To do so may create a potential fire hazard and void the Limited Warranty.

11. The bottom refractory can be cracked by excessive abuse such as tossing heavy logs onto the grate or gouging with fireplace tools. Exercise caution when adding wood to your fireplace.

12. Fireplace Inserts - Contact your dealer or distributor for a list of LHP fireplace inserts approved for installation into your fireplace. DO NOT install a fireplace insert from any another manufacturer.

13. If you are using your fireplace as a "decorative appliance," such as with a permanently installed gas log set, the fireplace damper must be permanently fixed in the open position.

14. Always ensure that an adequate supply of replacement combustion air from the outside of the house is accessible to the fire to support normal combustion. Fireplaces consume large volumes of air during the normal combustion process. In the event the home is tightly sealed with modern energy efficient features, the optional combustion air kit may not provide all the air required to support combustion. The manufacturer is not responsible for any smoking or related problems that may result from the lack of adequate combustion air.

15. Neither the manufacturer nor the seller warrants "smoke free" operation nor are we responsible for inadequate system draft caused by mechanical systems, general construction conditions, inadequate chimney heights, adverse wind conditions and/or unusual environmental factors or conditions beyond our control.

GENERAL INFORMATION

1. The all-steel, multi-wall firebox is the heat center of the system. It is well insulated for safe clearance to combustibles.

2. The hearth floor and sidewalls of the firebox are lined with a brick pattern reinforced refractory for the look of authenticity and to provide safety.

3. The metal chimney sections extending from the firebox top to beyond your roof are two walled and air-cooled. The inner passage, or flue, provides the exit for smoke and gases.

4. The flue damper is a two position (fully open or fully closed) mechanism operated by a handle found at the center top of the fireplace opening. It must be open when fire is present so smoke and gases can escape. It should be closed only when the fire is completely out – keeping room air from being lost up the flue.

5. Closed screens prevent fire, sparks and embers from popping out of the firebox while a fire is burning. Pull screens back when adding wood to the firebox.

6. Why use a fuel grate? Besides positioning the firebed properly, it protects the refractory floor, back and sides of the fireplace. Further, it ensures a proper flow of combustion air into and around the firebed. The grate must be used at all times when burning. Your warranty may be voided without the use of this grate.

7. Remember, your fireplace is not intended to heat your entire home. Their unique designs are intended for architectural, decorating and aesthetic considerations. Using this fireplace to heat large areas may lead to overfiring and void your warranty.

FUELS

Never Use Coal in Your Fireplace

Your fireplace system is not designed to be used with coal derivative products. The combustion process of certain types of coal can deposit corrosive materials in the fireplace and chimney system which can lead to premature product failure. Never use coal as a fuel in this fireplace system.

DECORATIVE GAS LOG SETS

If your fireplace system was installed with a gas line, you may wish to install one of two types of gas log sets. This fireplace has been tested and approved for use with a decorative gas appliance incorporating an automatic shut-off device and complying with the Standard for Decorative Gas Appliances for installation in vented fireplaces, ANSI Z21.60 - latest edition.

CAUTION

When using the decorative gas appliance, the fireplace damper must be set in the fully open position.

WARNING

This fireplace has NOT been tested with an unvented gas log set. To reduce risk of fire or injury, do not install an unvented gas log set into this fireplace.

Decorative gas appliances may be installed in these fireplaces. Installation must be in accordance with the national Fuel Gas Code, ANSI Z223.1-latest edition for compliance with the revised U.L. 127 Standard.

Prior to installing any gas log set, refer to the fireplace installation instructions for verification of mantel heights and placement of combustible materials around the firebox opening.

Wood Fuel Pointers

Wood is a wonderful renewable fuel source. Normally it burns clean, leaving only a minimum of waste ash, provides comforting heat and can provide a variety of aromas and visual images.

You will want to know which woods are best for use. Sometimes you may want a quick, short fire to offset a morning chill. Soft woods are preferable in this case. Other times you would want more slow burning and a uniform heat output. Hardwoods are preferable for this use.

The amount of heat available from the logs will be about equal on a weight basis. However, logs are generally not weighed so the amount of heat will depend on:

1. The type of wood used.
2. How dry it is.
3. How many logs you put in.
4. The size of the logs.

The last statement means that one big log weighing 10 pounds has as much heating potential as 10 pounds of twigs. However, air cannot get at the solid log to feed the fire so the solid log will burn slowly. While you would get the same amount of heat out of either fire, the smaller the pieces of wood and the more air space around them, the faster the fire will burn.

DISPOSAL OF ASHES

Ashes should be placed in a metal container with a tight fitting lid. The closed container of ashes should be placed on a noncombustible floor or on the ground, well away from all combustible materials, pending final disposal. If the ashes are to be disposed of by burial in soil or other wise locally dispersed, they should be retained in the closed container until all cinders have thoroughly cooled.

SOFTWOOD VS HARDWOOD

Softwoods contain about 15 percent highly flammable resin which generates creosote soot in the chimney flue. Burning softwood exclusively may not be as desirable nor as safe as burning denser hardwoods. Many experienced fire-builders use small amounts of softwood kindling and newspaper in conjunction with starting a fire with split hardwood logs. Here are some guidelines to remember:

1. Softwoods produce fast warming and shorter fires. Hardwoods burn less vigorously, have shorter flames and produce steady, glowing coals.

2. As a general rule, denser woods contain more potential heat per pound. Most softwoods offer moderate heat value per pound.

3. Different woods vary widely in flame heights, flame intensities, smoke characteristics and in sparking. Most hardwoods do not spark.

4. Most freshly cut "green" wood will not burn well and will smoke. Green wood can be from 10 to 40 percent less efficient than air-dried seasoned wood.

5. Moisture and resin found inside unseasoned wood cells will build up pressure under heat and explode as sparks.

6. Most wood needs to be seasoned 9 to 12 months to reduce the moisture content and produce good steady fires. When moisture content is reduced from 60 to 20%, the gain in heat potential is nearly 7%.

7. Proper storage of wood, especially during seasoning, is essential. We recommend that you:

a. Never store wood on the ground. This will cause rotting and insect infiltration. Raise wood on flat rock or scrap wood.

b. Stack wood loosely to allow air circulation.

c. Store wood where it will not be excessively exposed to weather, such as under a tarp or under a roof.

d. Do not stack wood directly against the walls of your home.

8. Be a knowledgeable wood buyer. There is a difference in cord sizes. A standard cord stack of logs is 4 ft. high by 8 ft. long by 4 ft. deep or the equivalent of this cubic footage, (Figure 1).

• A face cord is the same height and length as a standard cord but the depth is only the length of the logs (12, 18 or 24 inches). A face cord can contain as little as 25% of the wood found in a standard cord.

• If you buy by the ton, remember that wood becomes lighter as it dries. When buying green or wet wood, ask for some extra poundage to allow for the extra water you will be getting.

9. When comparing woods of the same moisture content and same species, we find most woods have approximately the same heating potential per pound. However, most wood is sold by volume, not by weight. To determine the best heating source, look at the density of various wood types (density is the weight for a given size). The higher the density, the more potential heat output. A standard cord has a volume of 128 cubic feet. This figure also includes the air space between and around the wood. The actual volume in a standard cord is between 60 and 100 cubic feet; depending on how tightly the wood is packed. Assuming that you are comparing two standard cords of different species but the same volume and moisture content, the denser species will provide more BTU's. The table of wood species/densities reveals more helpful guidelines.

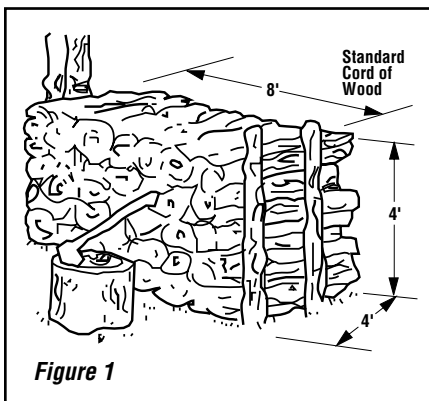


Figure 1

| HARDWOODS | DENSITY |
|--------------------|------------|
| Alser, Red | .41 |
| Ash | .49-.60 |
| Aspen | .38-.39 |
| Basswood, American | .37 |
| Beech, American | .64 |
| Birch | .55-.65 |
| Butternut | .38 |
| Cherry, Black | .50 |
| Chestnut, American | .43 |
| Cottonwood | .34-.40 |
| Elm | .60.63 |
| Hackberry | .53 |
| Hickory, Pecan | .60.66 |
| Hickory, True | .69-.75 |
| Honey locust | .66 (est.) |
| Locust, Black | .69 |
| Magnolia | .48-.50 |
| Maple | .48-.63 |
| Oak, Red | .59-.67 |
| Oak, White | .64-.88 |
| Poplar | .42 |
| Sassafras | .42 |
| Sweet gum | .52 |
| Sycamore, American | .49 |
| Tanoak | .64 (est.) |
| Tupelo | .50 |
| Walnut, Black | .55 |
| Willow, Black | .39 |
| SOFTWOODS | DENSITY |
| Bald cypress | .46 |
| Cedar | .31-.47 |
| Douglas Fir | .46-.50 |
| Fir | .32-.43 |
| Hemlock | .40-.45 |
| Larch, Western | .52 |
| Pine | .39-.59 |
| Redwood | .35-.40 |
| Spruce | .35-.41 |
| Tamarack | .53 |

STARTING A FIRE

1. To start a fire in the fireplace properly, first check the operation of the flue damper.
2. To prevent smoking at start-up, close any window located near the fireplace when first lighting a fire. The closed windows may be reopened once a chimney draft is drawn in the fireplace.

3. The grate in the firebox should be centered on or over the bottom hearth so your fire can breathe properly. Crumble and twist plenty of newspapers UNDER the grate and criss-cross some small dry kindling sticks on top of the paper or on the bottom of the grate.
4. Build a pyramid of three split logs (split will start much faster). Arrange the uneven wood to provide plenty of air space between.
5. Now, light the paper at both sides of the firebox.
6. Close the screens to prevent the escape of sparks and embers.
7. Close the damper only when your fire is completely out and ashes are cold. Keep closed when fireplace is not in use to prevent unnecessary loss of heated or cooled air.

DAMPER CONTROL

This fireplace is fitted with a manually controlled chimney damper. The chimney damper should be closed when the fireplace is not in use to prevent cold air from entering the home through the chimney system.

The damper is controlled through the use of a control lever located within the firebox opening at the top center in front of the firebox lintel (Figure 2). The control lever snaps into place at either extreme of its range of motion. When locked in position all the way to the right, the damper is open. When locked in position all the way to the left, the damper is closed.

The appliance flue damper must always remain open when operating.

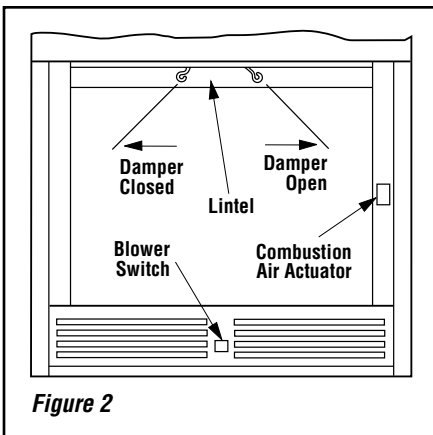


Figure 2

GLASS DOOR OPERATING SAFETY PRECAUTIONS AND INSTRUCTIONS

These fireplaces are equipped with glass doors. Only use the doors provided with this fireplace.

WARNING

Your fireplace is equipped with glass doors, it should be operated with the doors fully open or fully closed. If the doors are left partially open, gas and flames may be drawn out of the opening, creating risks of both fire and smoke. Refer to Figure 3 for proper operating conditions.

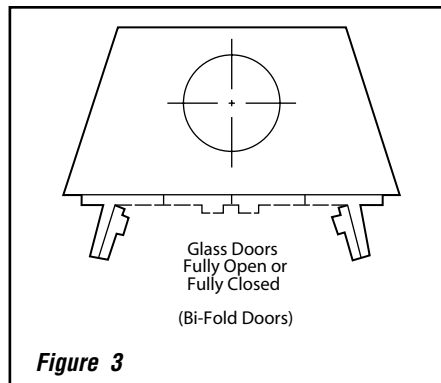


Figure 3

CAUTION

If a smoking condition exists, glass doors should be closed during fireplace operation.

Care and Cleaning of Your Glass Doors

Never clean the glass when the doors are hot. Do not use ammonia or ammonia based glass or household cleaner to clean the glass or the door frame. An ammonia based cleaner will damage the finish of the glass door.

Clean the glass doors by wiping with a damp towel followed by a clean dry towel to remove streaks.

Remove stubborn stains from the glass with a mild soap solution and a towel dampened with clean water. Dry with a clean dry towel.

- The fire must always be confined within the boundaries of the fuel grate.
- The fireplace screens must always be closed whenever the fireplace is being used.
- Never slam the glass door since it could cause the glass to break.

NOTE: DIAGRAMS & ILLUSTRATIONS ARE NOT TO SCALE.

- Do not build excessively large or hot fires — scorching or discoloring of the solid brass or plated brass trim may occur.
- Extreme temperature changes can cause glass breakage — do not build a hot fire and close the glass doors if the doors are cold.
- If the tempered glass pane becomes scratched or chipped, it creates a weakness in the glass which can cause the glass to break when heated. Replace the entire glass door as an assembly by contacting your nearest dealer.

CAUTION
Glass and metal frames get hot — Always use handles to open and close the doors.

WARNING
Be aware that safety glass is unpredictable when hot and may break, expelling hot glass into the room. Advise all family members to remain well away from the fireplace when operating with doors closed to avoid any possible personal injury.

IMPORTANT
Plated polished brass glass doors may have a plastic covering over all brass pieces for protection during shipping and handling. The plastic covering should be removed after installation of the fireplace before its use. Under the plastic covering is a protective lacquer coating which should not be removed. In some instances, if it is removed, irreversible damage to the brass finish could occur. Refer to the following for specific information on plated polished brass. Please understand that the heat of the fire will cause the protective lacquer finish to slightly change to a light caramel color. Do not be alarmed as this is a normal occurrence.

IMPORTANT
The lacquer coating on the polished brass glass doors and trim pieces can be damaged or removed causing corrosion and/or tarnish. To help protect the solid brass; use a non-acidic wax and avoid the over-spray of acidic/alkali based glass cleaners on the brass pieces. If the solid brass begins to turn black, all the protective coating should be removed and the metal re-polished, either by hand or professionally. Subsequently, the finish will not be as “bright” or lustrous without the protective coating. Solid polished brass will acquire a patina over years of use. This is a normal occurrence and can be polished.

COMBUSTION AIR

A proper amount of combustion air is important for your fireplace. Fireplaces consume large amounts of oxygen. It is important to allow an adequate supply of air. This fireplace is equipped with an outside air kit, to provide sufficient amounts of combustion air from outside of the house or structure in which it is installed. With the outside combustion air kit closed, the fire may draw from an outside air source and pull air in through the chimney. This may cause smoke spillage into the room.

Smoke spillage often occurs when a fire is first started, until the fireplace and the chimney has had the opportunity to “come up to temperature” and to begin to function normally. If smoke spillage problems persist, a window may be opened just a crack to allow the proper flow of combustion air to the fireplace.

Your fireplace is equipped with an outside combustion air kit, keep it open at all times when fire is burning and close when fire is out to prevent cold air intrusion.

Combustion Air Control

To provide outside combustion air to your fireplace while it is in operation, locate the combustion air actuator along the right side of the fireplace opening behind the screen.

To operate, push the end of the actuator to the left as shown in *Figure 4*, until it “pops” free of its “locked” position. Pull the actuator forward to open the combustion air door, and push it back to close. To “lock” the combustion air door closed, ensure the actuator is pushed all the way back, then push the end of the actuators to the right until the step in the actuator moves behind the fireplace front face within the slotted opening.

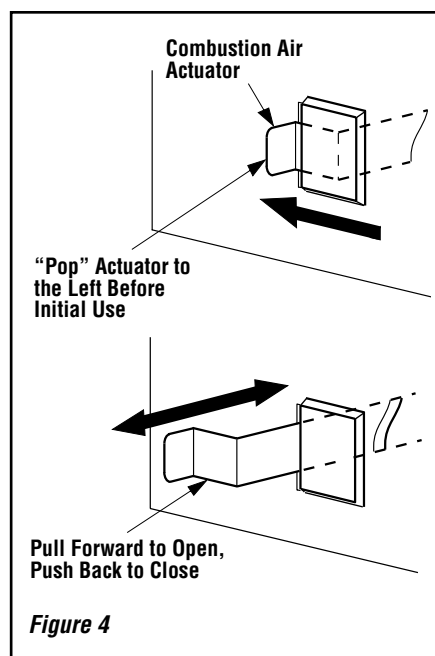


Figure 4

Blower Control

Model BCD36MH fireplaces are equipped with a blower as standard equipment (blower is optional for model BC-36MH). To turn this blower on or off, toggle the blower switch located in the middle of the lower front grilled panel (refer to *Figure 2*).

REFRACTORIES

All fireboxes contain a furnace refractory floor, sides and back. These refractories are reinforced with steel, but can be broken by improper use. Dropping logs on the bottom refractory and building fires directly against the refractories can cause premature burnout of these components. It may easily be repaired or replaced at costs far below repair and maintenance for masonry fireplaces.

Proper care and “burn-in” of the firebox will prolong the period of enjoyment without extensive maintenance. For the first few uses, build small fires – not roaring infernos. The materials used in the refractories contain and absorb moisture. It is important to “cure” the refractories by building only modest fires. Under normal usage, it is expected that hairline cracks will appear in the refractory surface. These hairline cracks do not affect the safe operation of the fireplace.

Refractories should be replaced when:

1. The crack opens more than 1/4" (19 mm).
2. Pitting in the surface is extensive and pits become deeper than 3/16" (4.76 mm).
3. Any piece of refractory larger than 2" (51 mm) in radius and 3/16" deep becomes dislodged.

If conditions 1, 2 or 3 occur, the refractory should be replaced.

MAINTENANCE GUIDELINES

Your fireplace is designed to operate trouble-free with minimum maintenance. However, like any fine appliance, it deserves and requires some housekeeping attention.

Your fireplace will perform better – and certainly look more attractive to family and friends – if it is cleaned before each use. Before the first seasonal use in Autumn and after the last fire in Spring, it is important to inspect the fireplace system carefully. We recommend at least two complete fireplace inspections a year.

Before Each Use

1. Clean the firebox of excessive ashes. Some owners prefer to leave a small layer to insulate the cold refractory below the grate which helps fire starting.
 - This fireplace has a factory supplied grate attached, it is permissible to remove the grate for cleaning; however, the grate must be re-attached to the fireplace before the next burn.

2. Keep the fireplace screens clean so combustion air flows freely.
3. Spot check the brick-like refractory for small cracks. Heat from the fire expands it slightly. When it cools, it contracts.

Twice a Year Check-Up

Normally, twice a year, you should inspect your fireplace following this list:

1. Inspect the opening in your chimney top and remove any debris that could clog it. The cap is usually held in place by four (4) screws, which remove easily for checking or cleaning the full length of the flue from above. Remove the chimney top while wearing gloves to guard against any sharp metal edges.
2. Inspect the entire flue from the top down for obstructions such as birds nests, leaves, etc. This may be done by using a flexible handled chimney cleaning brush. If the chimney contains offset/return elbows; a soft brush cleaning from the top down to any elbow and then from the firebox up to the offset/return section is the proper method. The beam from a powerful flashlight will help in this inspection.
3. Look up from inside the fireplace (damper open) to see any obstructions in the lower flue area. If present, shut the damper and glass doors (if installed) to seal the firebox and contain any soot that might fall.
 - If you do not have glass doors installed, a damp sheet covering the fireplace opening and sealed with masking tape will do. Then clean the flue from the top down (if an offset system, clean per **Step 2**) using a proper size chimney brush with flexible pole sections. Don't open the doors or remove the sheet until all soot has settled. Vacuum, don't sweep.
4. Check the metal flashing and seals around your chimney. Seal any cracks or loose nailhead openings to prevent roof leaks.
5. Clean the firebox thoroughly by using a soft brush or equivalent.

WARNING

Continued overfiring can permanently damage your fireplace system. Some examples of overfiring are:

- **Burning quantities of scrap lumber, pine branches, paper or cardboard boxes which exceed the volume of the normal log fire.**
- **Burning trash, chemicals or chemically treated combustibles.**

CREOSOTE FORMATION AND REMOVAL

When wood is burned slowly, it produces tar and other organic vapors, which combine with expelled moisture to form creosote. The creosote vapors condense in the relatively cool chimney flue of a slow-burning fire. As a result, creosote residue accumulates on the flue lining. When ignited, this creosote makes an extremely hot fire.

The chimney should be inspected at least twice yearly during the heating season to determine if a creosote build-up has occurred.

If creosote has accumulated, it should be removed to reduce the risk of a chimney fire.

If creosote build-up is found, do not use chemical chimney cleaners that are poured on a hot fire. The chemical cleaners can be dangerous and generally only work on the flue section nearest the fire, leaving the rest of the flue unaffected. It is best to take the time to clean the flue as previously described or have the chimney professionally cleaned by a qualified chimney sweep.

TROUBLESHOOTING

Note: "Smoke Free" operation is not warranted nor are we responsible for inadequate system draft, general construction conditions, inadequate chimney heights, adverse wind conditions and/or unusual environmental factors or conditions beyond our control.

If you do experience a problem, here are several things to check:

1. Remember – always check to ensure your flue damper is in the open position before lighting a fire!
2. When lighting your fire, a little smoke may escape into the room – more likely if the chimney is cold. To correct this, hold a lighted newspaper up inside the firebox near the open flue damper. This will turn around any downdraft and clear the flue of cold air. As your log fire burns below, the updraft will improve as the chimney heats up.
3. Is your fire too far forward? Move it toward the back with your poker. Keep the fire well within the confines of your fuel grate.
4. Keep your fire up on the grate and the refractory below free of excessive ashes. The fire needs plenty of air movement around the logs.
5. If smoking occurs an hour or two after lighting the fire, perhaps your well-insulated house is too airtight and there is scarcely any way for replacement air to enter and feed the fire. Check to see if your outside combustion air kit (if installed) is open. Check outside to ensure no obstructions are in front of exterior air entry. Open a window slightly, open doors to one or two rooms and see if this stops the smoking.
6. Is a vent fan, exhaust hood or central heating/cooling system stealing combustion air from your fireplace? If their volume is high enough, this can cause negative pressure and an unwanted downdraft – and smoking.
7. Is your wood fuel too wet or unseasoned? Or does it contain some chemical substance that causes sputtering, smoking and toxic fumes?
8. **Figure 5** illustrates the correct height of your chimney top. It is unlikely that your installation does not adhere to the installation instructions. However, if not correct, you could experience an unusual downdraft. Usually, the best solution is to increase the chimney height. This may also be necessary if nearby trees, adjoining roof lines or a hill is causing a downdraft condition.
9. Remember, your fireplace is not intended to heat your entire home.

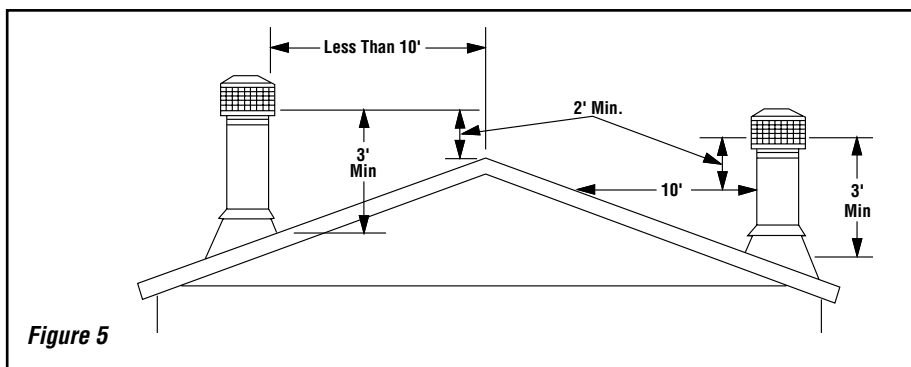


Figure 5

WARRANTY

- This fireplace is covered by a limited warranty detailed separately from this document.
- Retain this manual. File it with your other documents for future reference.

PRODUCT REFERENCE INFORMATION

If you encounter any problems or have any questions concerning the installation or application of this system, please contact your distributor or installer. For the number of your nearest Superior dealer, please call 1-800-953-6669.

LHP
1110 West Taft Avenue
Orange, CA 92865

REPLACEMENT PARTS

A complete parts list is found at the end of this manual. Use only parts supplied from the manufacturer.

Normally, all parts should be ordered through your Superior distributor or dealer. Parts will be shipped at prevailing prices at time of order.

When ordering repair parts, always give the following information:

1. The model number of the appliance.
2. The serial number of the appliance.
3. The part number.
4. The description of the part.
5. The quantity required.
6. The installation date of the appliance.

Your Fireplace's Model Number _____

Your Fireplace's Serial Number _____

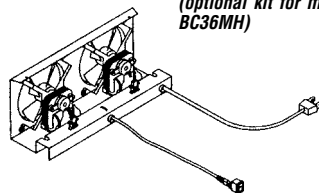
The Date On Which Your Fireplace Was Installed _____

Your Dealer's Name _____

ACCESSORY COMPONENTS

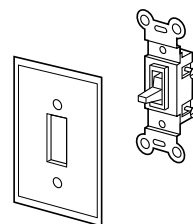
Blower Kit

Blower Kit is installed as a standard component on model BCD36MH (optional kit for model BC36MH)



ON/OFF Wall Switch Kit

This ON/OFF wall switch kit can be used in place of the unit mounted rocker switch. This switch provides single speed ON/OFF operation of the blower. Install the ON/OFF wall switch in a convenient location near the fireplace.

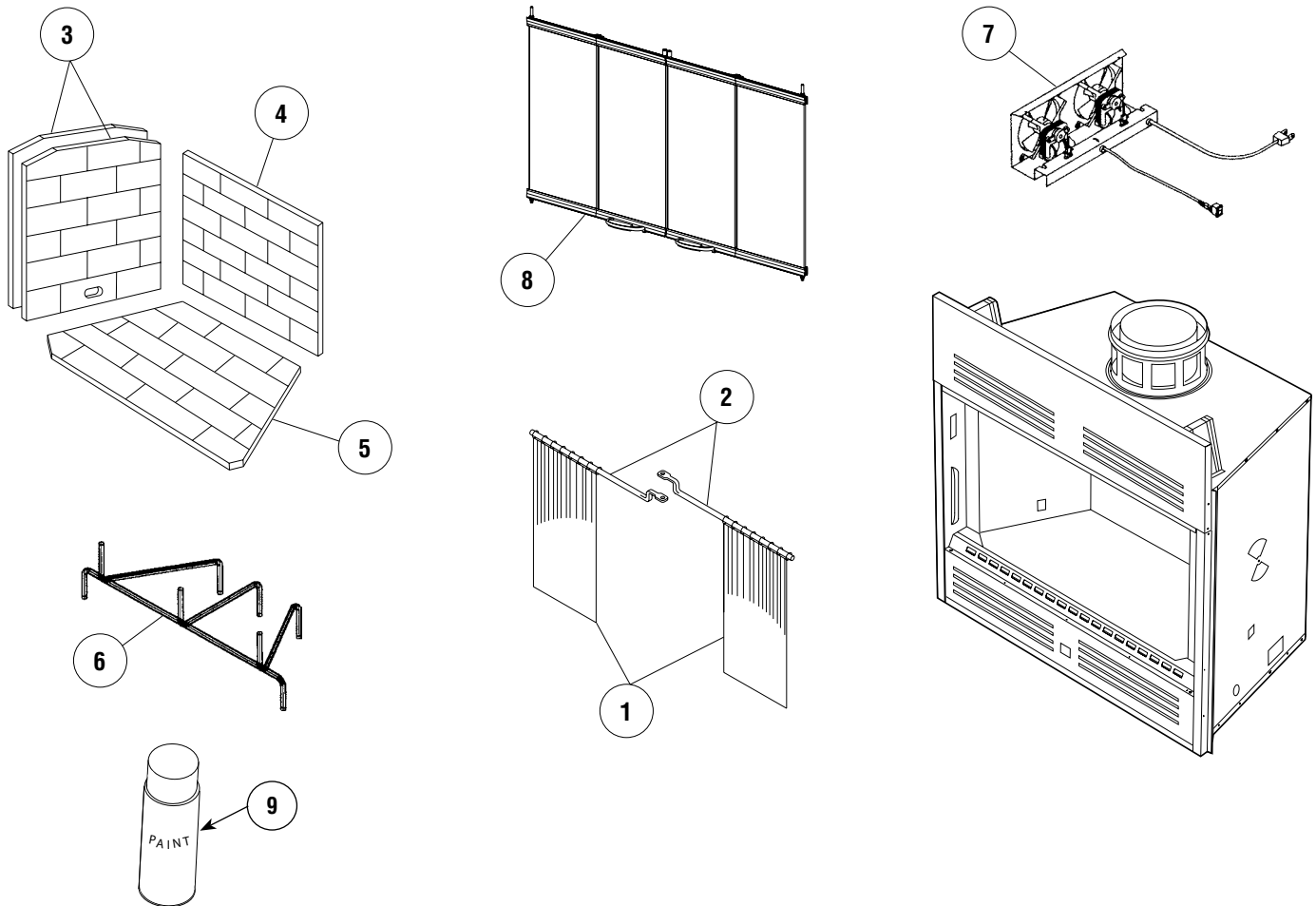


| Forced Air Blower Kit | | |
|-----------------------|-----------|-----------------------|
| Cat. No. | Model No. | Description |
| 36L32 | BFK36 | Forced Air Blower Kit |

| White Wall Switch Kit | | |
|-----------------------|-----------|------------------------|
| Cat. No. | Model No. | Description |
| 85L87 | FWSK | ON/OFF Wall Switch Kit |

NOTE: DIAGRAMS & ILLUSTRATIONS ARE NOT TO SCALE.

REPLACEMENT PARTS - MODELS BCD36MH & BC36MH



| No | Description | Part No. | Qty. |
|----|---|----------|------|
| | Fireplace Assembly | - | - |
| 1. | Firescreen | 36L98 | 2 |
| 2. | Rod, Screen | 88L95 | 2 |
| 3. | Refractory, Side | LB-96795 | 2 |
| 4. | Refractory, Rear | LB-96796 | 1 |
| 5. | Refractory, Bottom | LB-96794 | 1 |
| 6. | Grate | 87L20 | 1 |
| 7. | Fan Kit (standard on BCD36MH only) | 36L32 | 1 |
| 8. | Bi-Fold Door Set | 86L26 | 1 |
| 9. | Paint, Touchup, Black, FTPK-B | H4353 | 1 |

NOTE: DIAGRAMS & ILLUSTRATIONS NOT TO SCALE.

The manufacturer reserves the right to make changes at any time, without notice, in design, materials, specifications, prices and also to discontinue colors, styles and products. Consult your local distributor for fireplace code information.