



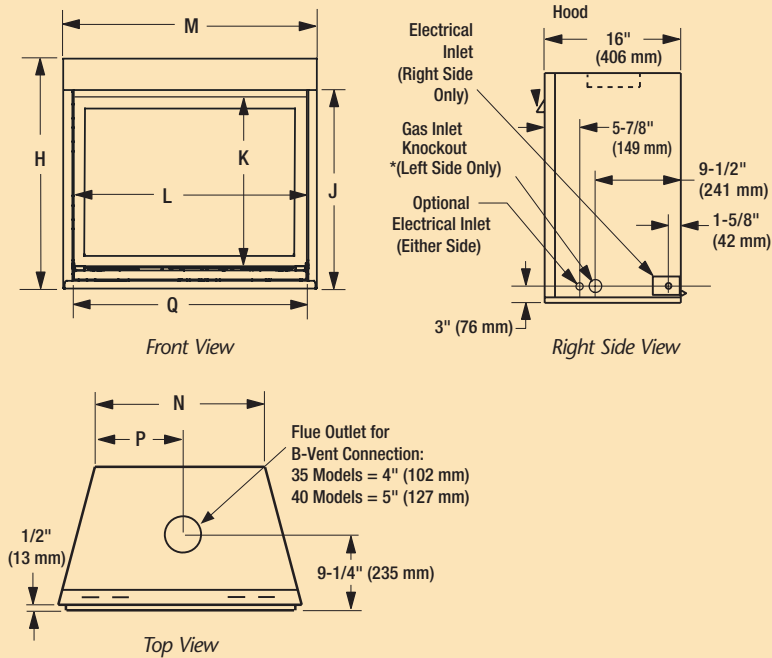
A true louverless design with realistic fire presentation at very low BTUs, and a variety of accessory options to complement any décor.



HEARTH PRODUCTS

MERIT™ SERIES

GAS FIREPLACE SPECIFICATIONS



DIMENSIONS

	H	J	K	L	M	N	P	Q
MLBV-35	32-1/4"	28-1/8"	23-1/4"	32"	35-1/4"	25"	12-1/2"	33"
	(819 mm)	(714 mm)	(590 mm)	(813 mm)	(895 mm)	(635 mm)	(317 mm)	(838 mm)
MLBV-40	37-1/4"	33-1/8"	28-1/4"	37"	40-1/4"	30"	15"	38"
	(946 mm)	(841 mm)	(718 mm)	(940 mm)	(1022 mm)	(762 mm)	(381 mm)	(965 mm)

FRAMING DIMENSIONS

	WIDTH	HEIGHT	DEPTH
MLBV-35	35-1/4" (895 mm)	35-1/4" (895 mm)	16" (406 mm)
MLBV-40	40-1/4" (1022 mm)	40-1/4" (1022 mm)	16" (406 mm)

BTU/HR CHART

	NATURAL (HIGH-LOW)	PROPANE (HIGH-LOW)
MLBV-35	17,000–13,000	17,000–14,000
MLBV-40	22,000–17,000	20,000–15,500

PRODUCTS AND DEALERS YOU CAN COUNT ON

Lennox is committed to providing you with the finest hearth products available. Choosing the right dealer for your hearth needs is as important as choosing the right brand, and our dealers are a big reason why you can count on quality customer service when you call.



© Lennox Industries Inc. 2011

Visit us at www.lennox.com, or contact us at 1-800-9-LENNOX.

PC64423 785309M 01/11



STANDARD FEATURES

Louverless design delivers a clean, traditional look that is quick and easy to install

Highly detailed Charred Split Oak logs replicate the natural appearance of delicately placed wood

Fully featured wrought-iron grate

Standing pilot millivolt or electronic battery-backed-up gas valve systems work in a power failure and offer the greatest flexibility in installation

Easy accessibility to all control areas

Available in 35" and 40" sizes

Black powder-coat paint creates scratch-resistant surfaces for durability

Uses 4" or 5" Type B double-wall vent pipe

Backed by the Good Housekeeping Seal

OPTIONAL ACCESSORIES

1 Arch or square-pane Style View™ doors in your choice of black or satin pewter finish

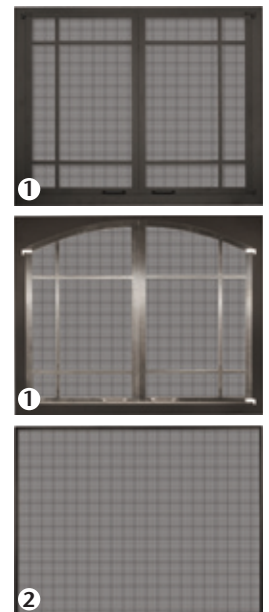
2 Screen panel kit*

Ceramic brick liner in Buff Rustic

Wireless remote controls

Outside combustion air kit

*Provides a barrier to prevent direct contact with hot glass surface.



On the cover: MLBV-40 shown with Buff Rustic ceramic brick liner.

IMPORTANT NOTES:

As with any heating appliance, fireplace or stove, this appliance is extremely hot during operation. Read and understand all operating instructions before using this appliance. For further information, consult your dealer.

Local conditions, such as elevation, wind, vent configuration and choice of fuel will affect overall appearance of the fire and heating performance. Performance can also vary with home design and insulation, climate, condition and type of fuel used, appliance location, burn rate, accessories chosen, chimney installation and how the appliance is operated.

Diagrams, illustrations and photographs are not to scale—consult installation instructions. Product designs, materials, dimensions, specifications, colors and prices are subject to change or discontinuance without notice.

Approved and listed to U.S. safety and performance standards – ANSI Z21.50.



ITS Report number: 100017854