



Louverless clean-face design delivers the elegance of traditional masonry with a dynamic flame, ember bed and log set that create a realistic and incomparable fire presentation.

LENNOX

HEARTH PRODUCTS
Innovation never felt so good.™

ELITE™ SERIES



ELDV-45 shown with standard charcoal trim.

■ The Elite™ ELDV gas fireplace from Lennox is the perfect blend of traditional styling and modern hearth technology.

With the look and feel of a classic masonry fireplace, the clean and elegant louverless design has timeless appeal.

Its Vertical Aspect ratio and “up to the glass” installation provides a marvelous full view of the dramatic new fire technology.

The tall, glowing flames. The rich, unstructured ember bed. The detailed, campfire-style log set. They combine to make

one of the most beautiful and realistic fires available. And with precise flame and heat control, enjoying a fire has never

been so convenient, comfortable and dazzling. ■

STANDARD FEATURES

Deluxe pan burner with hidden burner ports, and an unstructured ember bed, create outstanding realism

Detailed charred oak campfire-style logs imitate the natural look of real stacked wood

Louverless design has a clean, traditional masonry look for timeless appeal

Vertical Aspect glass enclosure panel provides an exceptional view and airtight protection

25,000–30,000 BTUs deliver outstanding flame height and log glow at an energy-efficient burn rate

Adjustable flame, Dexan battery backed-up intermittent ignition systems ensure reliable operation – even during power failure

Direct-vent chimney system for greater efficiency, exceptional heat output, and cleaner indoor air

Patented remotely adjustable burner air shutter helps shorten set-up times and allows for the fire appearance to be “dialed-in” during installation

Available in three sizes – 35", 40" and 45"

OPTIONAL ACCESSORIES

Panled arch or square louverless Style View™ doors available in Charcoal or Satin Pewter

Screen panel kits

Freestanding dual arch screen

Ceramic brick fireplace liners available in Rustic Brick, Old Cottage, Boston Red or Herringbone brickade

Forced air blower kit



Buff Rustic Brick



Buff Rustic Herringbone



Red Rustic Brick



Red Old Cottage



Arch Pane design in Satin Pewter



Square Pane design in Charcoal



Freestanding dual arch screen



ELD V-35 shown with standard charcoal trim.



Shown with Buff Rustic Herringbone ceramic brick fireplace liner.



Shown with Red Old Cottage ceramic brick fireplace liner.

DIMENSIONS



ELDV-35 (35")

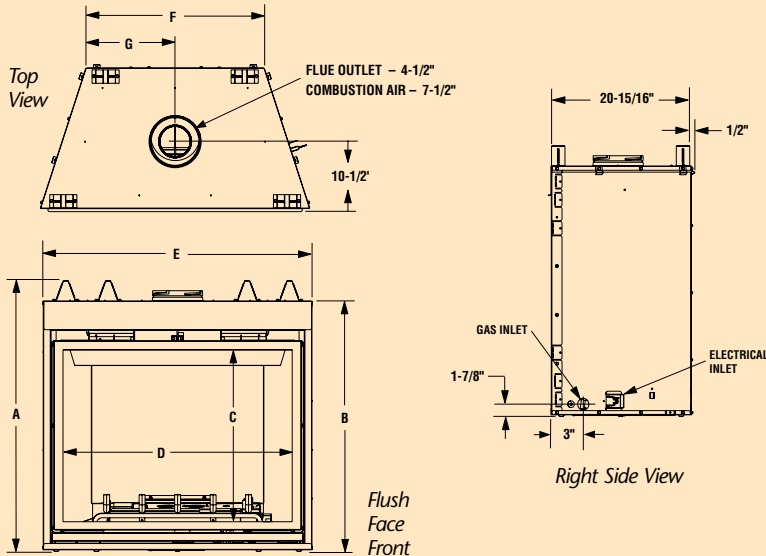


ELDV-40 (40")



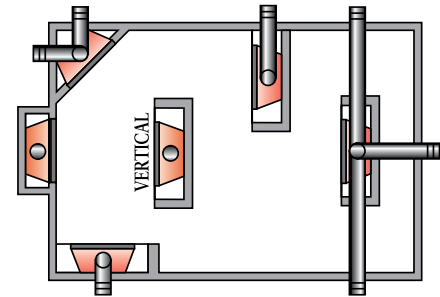
ELDV-45 (45")

GAS FIREPLACE SPECIFICATIONS



MODEL	A	B	C	D	E	F	G	FRAMING			BTU/HR	
								WIDTH	HEIGHT	DEPTH	NAT. GAS	PROPANE
ELDV-35	40-1/8"	37-1/8"	25-5/8"	29-1/8"	35-1/8"	21-1/2"	10-3/4"	36"	40-1/2"	23"	27,000	25,000
ELDV-40	40-1/8"	37-1/8"	25-5/8"	34-1/8"	40-1/8"	26-1/2"	13-3/4"	41"	40-1/2"	23"	29,000	27,000
ELDV-45	40-1/8"	37-1/8"	25-5/8"	39-1/8"	45-1/8"	31-1/2"	15-3/4"	46"	40-1/2"	23"	31,000	30,000

TYPICAL TOP VENT ONLY APPLICATIONS



GAS FIREPLACE EFFICIENCY %*

MODEL	P4	STEADY STATE	AFUE**
ELDV-35	49	68	66
ELDV-40	49	68	66
ELDV-45	50	68	65

*Intermittent ignition systems
 **Annual Fuel Utilization Efficiency (AFUE) is the recognized U.S. rating system for the total efficiency of heating products.

All Elite™ gas fireplaces utilize either a Secure Vent™ (rigid) or Secure Flex™ (flexible) 4.5" outer coaxial venting system, and include a 20-year limited warranty.

Note: Diagrams, illustrations and photographs are not to scale and should not be used for framing purposes – consult installation instructions. Product designs, materials, dimensions, specifications, colors and prices subject to change or discontinuance without notice. Local conditions, such as elevation, wind, vent configuration and choice of fuel will affect the overall appearance of the fire.

PRODUCTS AND DEALERS YOU CAN COUNT ON

At Lennox, we understand how important it is for you to feel comfortable at home, so we're committed to providing you with the finest hearth products available. Choosing the right dealer for your hearth needs is every bit as important as choosing the right brand, and we think you'll agree that our dealers are a big reason why you can count on getting quality customer service when you call.



HEARTH PRODUCTS
 Innovation never felt so good.™

© Lennox Industries Inc. 2007

Visit us at www.lennox.com, or contact us at 1-800-9-LENNOX.

